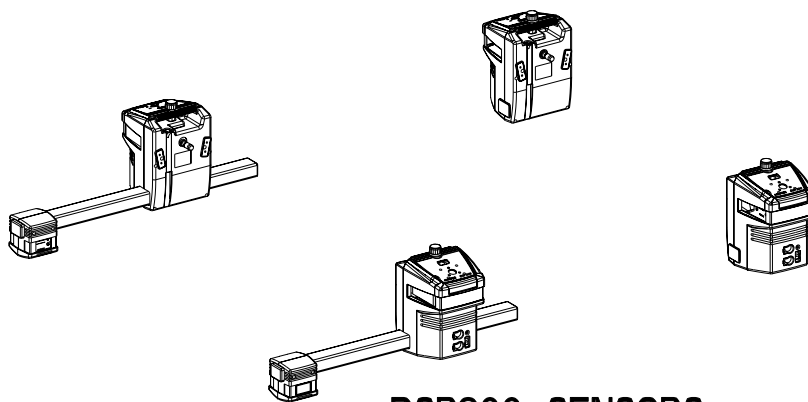
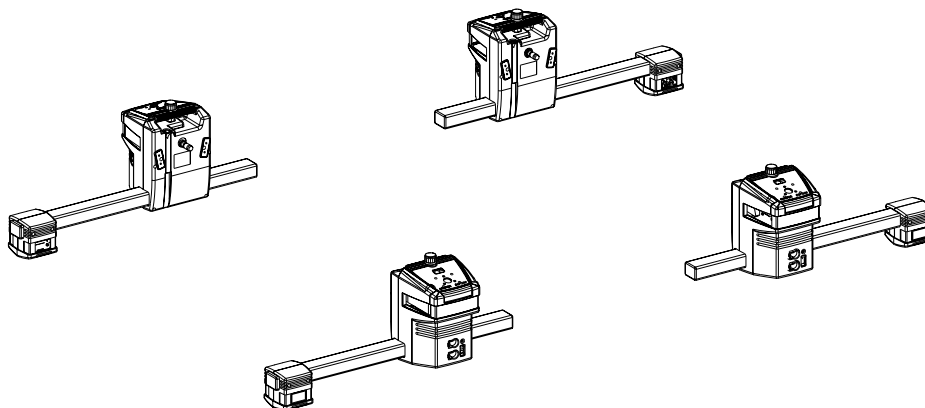


DSP304 SENSORS

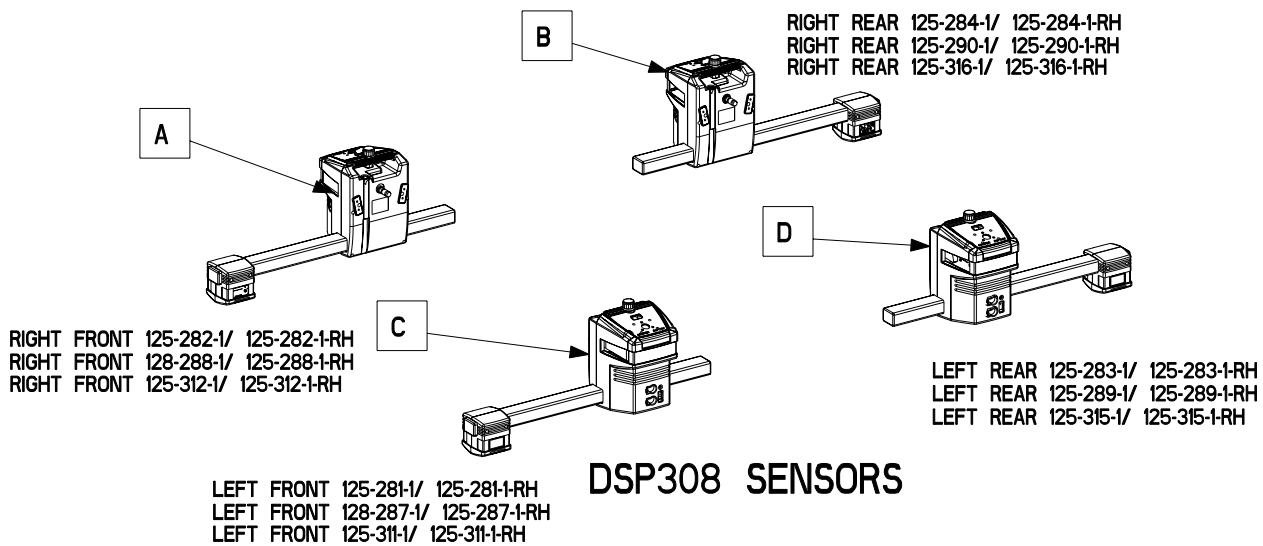
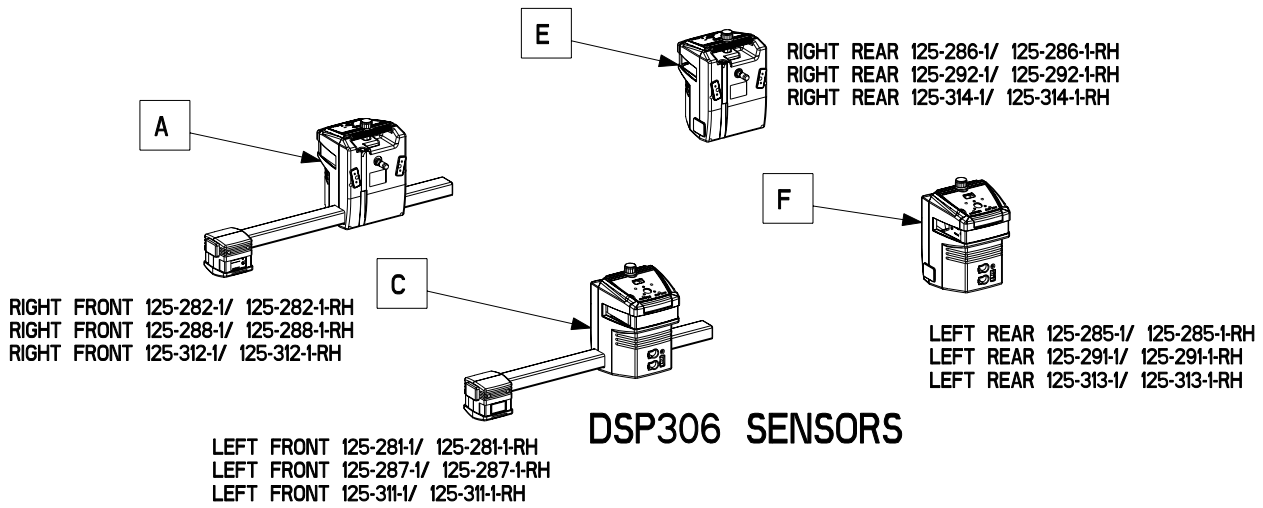
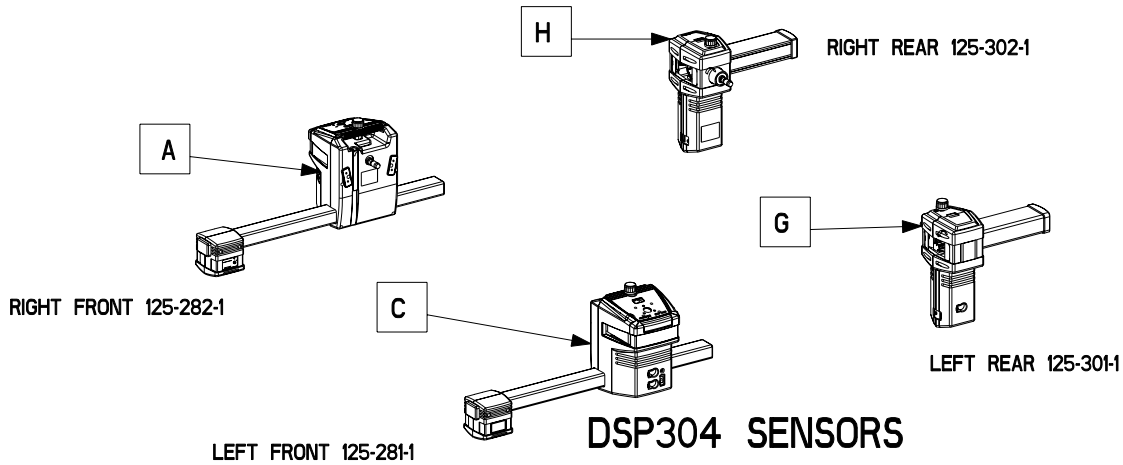


DSP306 SENSORS



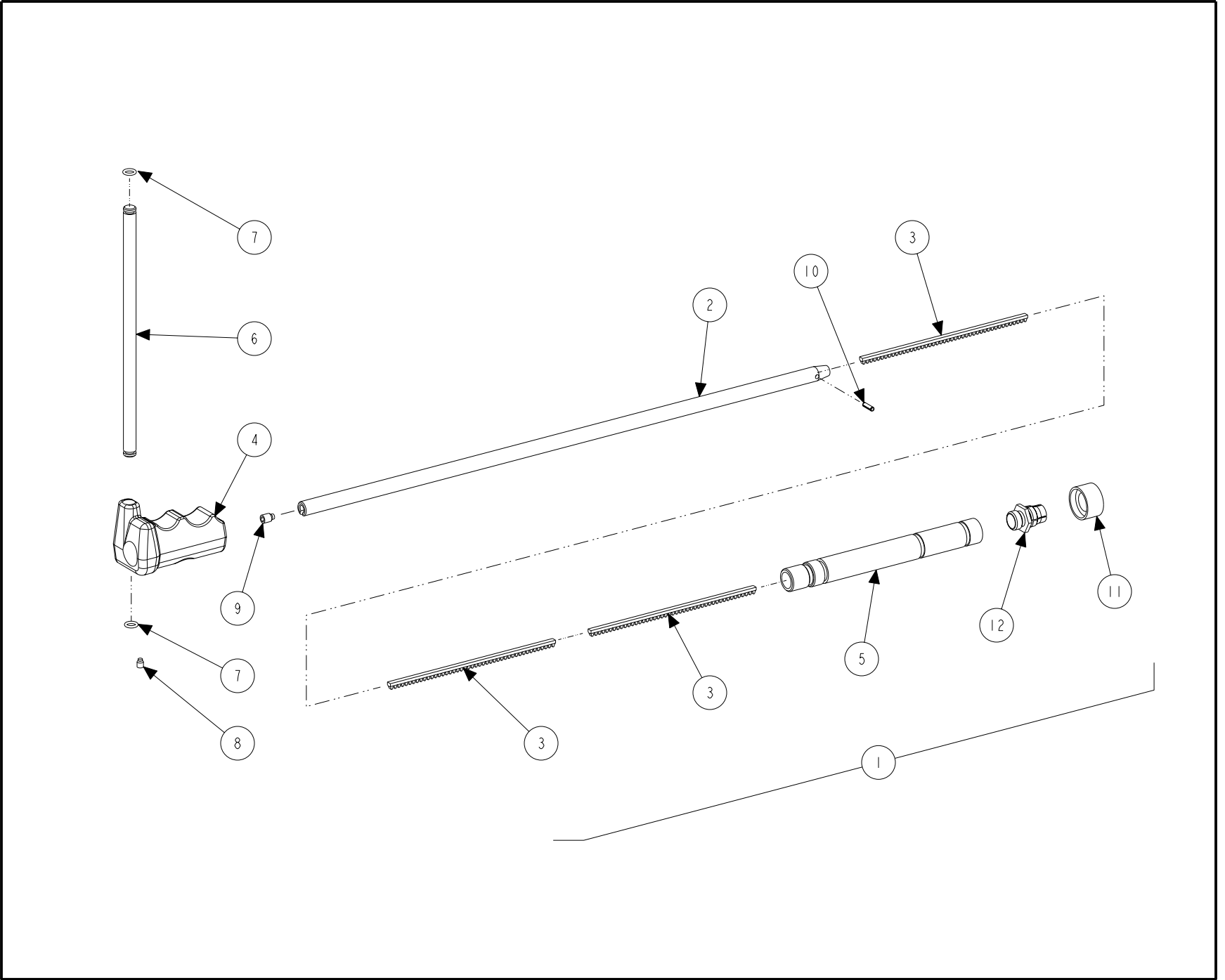
DSP308 SENSORS

DSP304/306/308 SENSOR ASSEMBLY



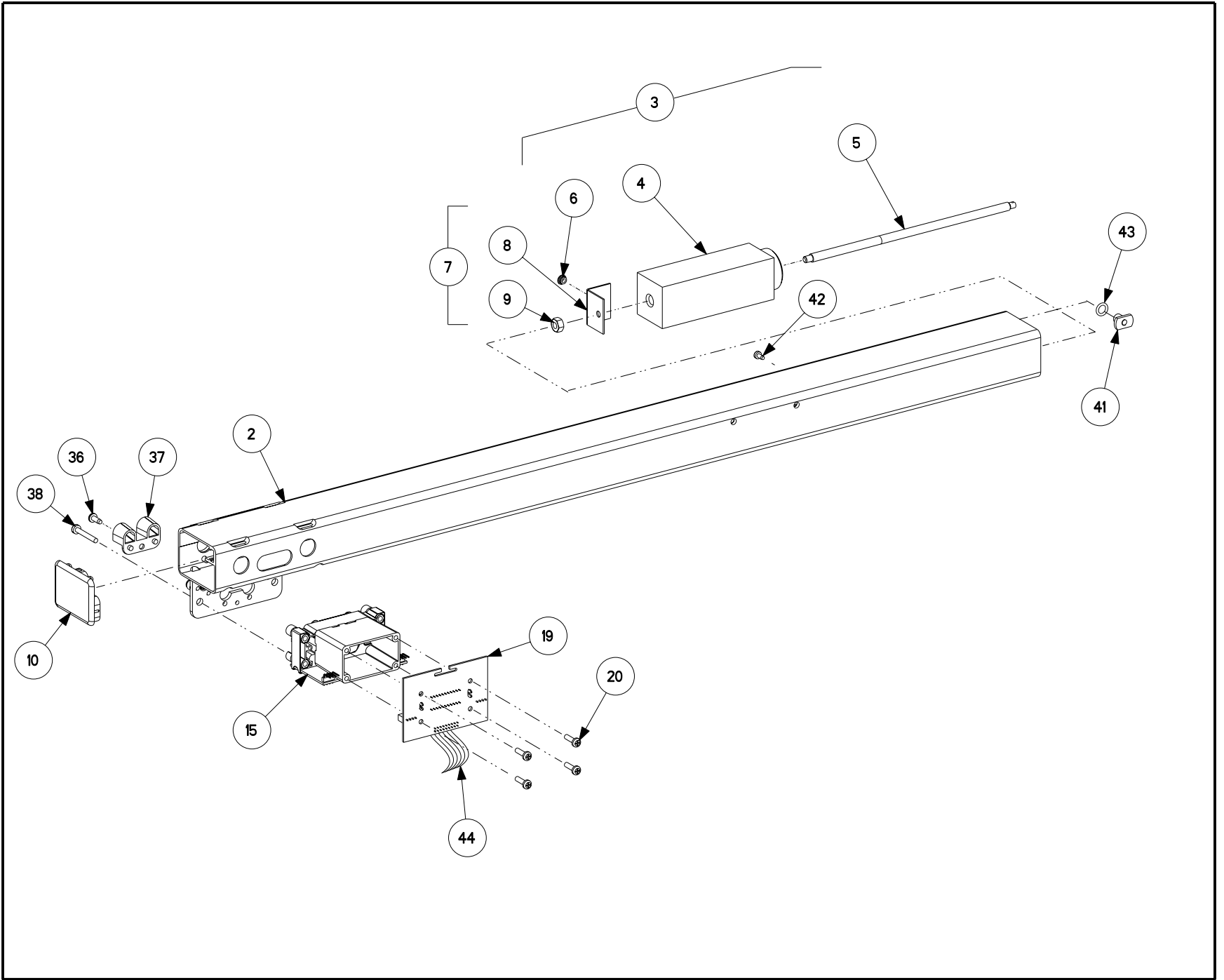
A	125-282-1	RIGHT FRONT DSP304/306/308 SENSOR ASSEMBLY (Sheet 7)
	125-282-1-RH	RIGHT FRONT DSP306/308RH (RIDE HEIGHT) SENSOR ASSEMBLY (Sheet 11)
	125-288-1	RIGHT FRONT DSP306/308HF SENSOR ASSEMBLY (Sheet 9)
	125-288-1-RH	RIGHT FRONT DSP306/308HF-RH SENSOR ASSEMBLY (Sheet 13)
	125-312-1	RIGHT FRONT DSP306/308HFSS SENSOR ASSEMBLY (Sheet 15)
	125-312-1-RH	RIGHT FRONT DSP306/308HFSS-RH SENSOR ASSEMBLY (Sheet 15A)
B	125-284-1	RIGHT REAR DSP308 SENSOR ASSEMBLY (Sheet 7)
	125-284-1-RH	RIGHT REAR DSP308RH SENSOR ASSEMBLY (Sheet 11)
	125-290-1	RIGHT REAR DSP308HF SENSOR ASSEMBLY (Sheet 9)
	125-290-1-RH	RIGHT REAR DSP308HF-RH SENSOR ASSEMBLY (Sheet 13)
	125-316-1	RIGHT REAR DSP308HFSS SENSOR ASSEMBLY (Sheet 15)
	125-316-1-RH	RIGHT REAR DSP308HFSS-RH SENSOR ASSEMBLY (Sheet 15B)
C	125-281-1	LEFT FRONT DSP304/306/308 SENSOR ASSEMBLY (Sheet 7)
	125-281-1-RH	LEFT FRONT DSP306/308RH SENSOR ASSEMBLY (Sheet 11)
	125-287-1	LEFT FRONT DSP306/308HF SENSOR ASSEMBLY (Sheet 9)
	125-287-1-RH	LEFT FRONT DSP306/308HF-RH SENSOR ASSEMBLY (Sheet 13)
	125-311-1	LEFT FRONT DSP306/308HFSS SENSOR ASSEMBLY (Sheet 15)
	125-311-1-RH	LEFT FRONT DSP306/308HFSS-RH SENSOR ASSEMBLY (Sheet 15A)
D	125-283-1	LEFT REAR DSP308 SENSOR ASSEMBLY (Sheet 7)
	125-283-1-RH	LEFT REAR DSP308RH SENSOR ASSEMBLY (Sheet 11)
	125-289-1	LEFT REAR DSP308HF SENSOR ASSEMBLY (Sheet 9)
	125-289-1-RH	LEFT REAR DSP308HF-RH SENSOR ASSEMBLY (Sheet 13)
	125-315-1	LEFT REAR DSP308HFSS SENSOR ASSEMBLY (Sheet 15)
	125-315-1-RH	LEFT REAR DSP308HFSS-RH SENSOR ASSEMBLY (Sheet 15B)
E	125-286-1	RIGHT REAR DSP306 SENSOR ASSEMBLY (Sheet 8)
	125-286-1-RH	RIGHT REAR DSP306RH SENSOR ASSEMBLY (Sheet 12)
	125-292-1	RIGHT REAR DSP306HF SENSOR ASSEMBLY (Sheet 10)
	125-292-1-RH	RIGHT REAR DSP306HF-RH SENSOR ASSEMBLY (Sheet 14)
	125-314-1	RIGHT REAR DSP306HFSS SENSOR ASSEMBLY (Sheet 14A)
	125-314-1-RH	RIGHT REAR DSP306HFSS-RH SENSOR ASSEMBLY (Sheet 14B)
F	125-285-1	LEFT REAR DSP306 SENSOR ASSEMBLY (Sheet 8)
	125-285-1-RH	LEFT REAR DSP306RH SENSOR ASSEMBLY (Sheet 12)
	125-291-1	LEFT REAR DSP306HF SENSOR ASSEMBLY (Sheet 10)
	125-291-1-RH	LEFT REAR DSP306HF-RH SENSOR ASSEMBLY (Sheet 14)
	125-313-1	LEFT REAR DSP306HFSS SENSOR ASSEMBLY (Sheet 14A)
	125-313-1-RH	LEFT REAR DSP306HFSS-RH SENSOR ASSEMBLY (Sheet 14B)
G	125-301-1	LEFT REAR DSP304 SENSOR ASSEMBLY (Sheet 16 & 17)
H	125-302-1	RIGHT REAR DSP304 SENSOR ASSEMBLY (Sheet 16 & 17)
I	20-1371-1	RIDE HEIGHT TOOL DSP306 (Consisting Of:) (Not Shown)
J	109-86-1	TRANSDUCER ASSEMBLY, RIDE HEIGHT (Not Shown)
K	221-595-1	TOOL, RIDE HEIGHT (Not Shown) (Sheet 3)
L	38-839-1	CABLE, DSP306/308 RIDE HEIGHT (Not Shown)
M	75-446-2	SCREW, SELF TAPPING 8-32 x 3/8 (Not Shown)

221-595-1 RIDE HEIGHT TOOL
REFER TO NEXT SHEET FOR PARTS DESCRIPTION LISTING

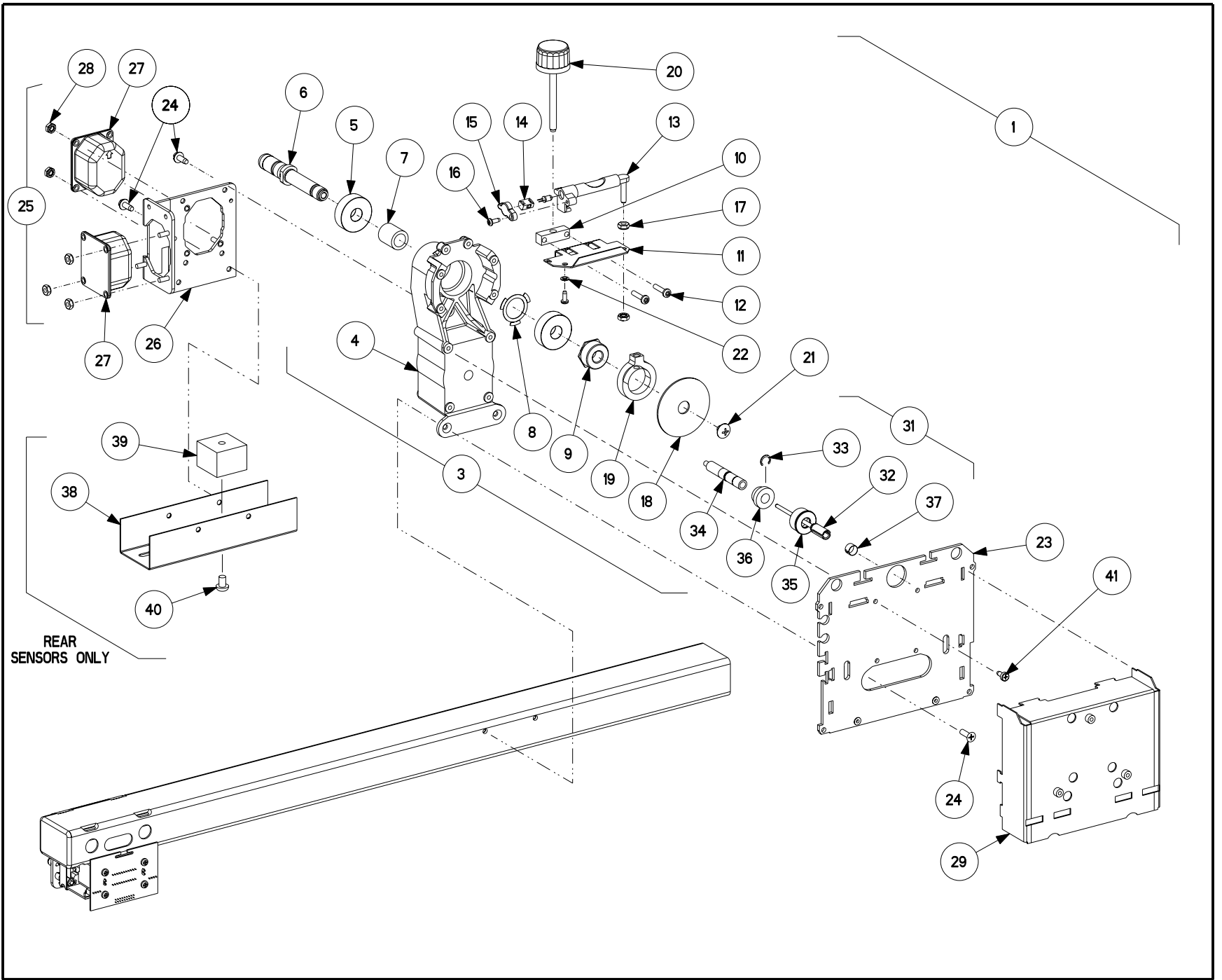


Index No.	Part Number	Description	Qty.
1	221-595-1	TOOL, RIDE HEIGHT (Consisting Of:)	1
2	63-193-2	ROD, RACK GUIDE RIDE HEIGHT	1
3	99-102-2	GEAR, RACK RIDE HEIGHT	3
4	34-145	KNOB, RIDE HEIGHT PAINTED	1
5	106-101-2	SLEEVE, RIDE HEIGHT	1
6	63-196-2	ROD, SBDA SLIDING (8")	1
7	124-109-2	SEAL-O-RING .25 ID x .38 OD	2
8	75-182-2	SOCKET SET SCREW 10-32 x 1/4 HALF DOG	1
9	75-320-2	SOCKET SET SCREW 1/4-20 x 3/8 HALF DOG	1
10	135-173-2	PIN, SPLITROLL 1/8 x 7/16	1
11	34-153-2	KNOB, RIGHT TOOL	1
12	113-224-2	BUSHING, RIDE HEIGHT TOOL	1

SENSOR TUBE ASSEMBLY
REFER TO NEXT SHEET FOR PARTS DESCRIPTION LISTING



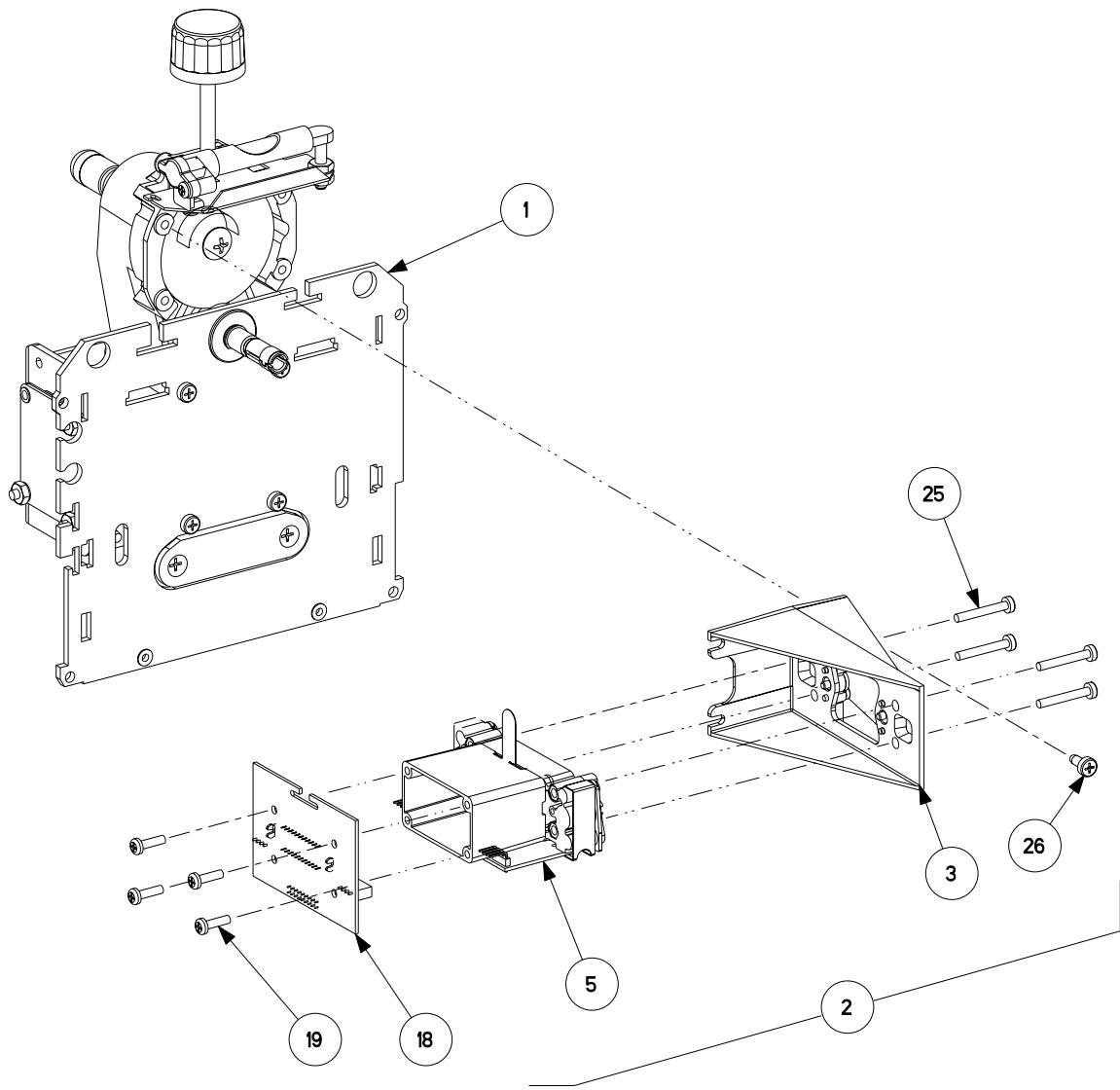
Index No.	Part Number	Description	LEFT FRONT	RIGHT FRONT	LEFT REAR	RIGHT REAR
			306/308	306/308	308	308
			306RH/308RH	306RH/308RH	308RH	308RH
			306HF-RH	306HF-RH	308HF-RH	308HF-RH
			308HF-RH	308HF-RH	308HF	308HF
			306HF/308HF	306HF/308HF		
2	16-631-1	TUBE REPLACEMENT ASSEMBLY, LEFT FRONT/RIGHT REAR	1			1
OR	16-632-1	TUBE REPLACEMENT ASSEMBLY, RIGHT FRONT/RIGHT REAR (Not Illustrated)		1	1	
3	65-69-1	WEIGHT ASSEMBLY, TOE ARM (Consisting Of:)	1	1	1	1
4	65-33-2	WEIGHT	1	1	1	1
5	97-212-2	SHAFT, COUNTERWEIGHT	1	1	1	1
6	76-21-2	NUT, GRIP 10-32	1	1	1	1
7	14-812-1	BRACKET ASSEMBLY, COUNTERWEIGHT (Consisting Of:)	1	1	1	1
8	14-809	BRACKET, COUNTERWEIGHT	1	1	1	1
9	76-163-2	NUT, INSERT 8-32	1	1	1	1
10	53-101-2	CAP, TOE ARM	1	1	1	1
15	105-338-1	TRANSDUCER REPLACEMENT ASSEMBLY, TRANSVERSE TOE	1	1	1	1
19	45-705-1	PC ASSEMBLY, CCD TOE	1	1	1	1
20	75-498-2	PHILLIPS HEAD SHEET METAL SCREW 6 x 1/2 TYPE 25	4	4	4	4
36	75-500-2	SELF TAPPING SCREW 6-32 x 3/8	5	5	5	5
37	105-305-2	HOUSING, DETECTOR BAFFLE	1	1	1	1
38	75-501-2	PHILLIPS HEAD MACHINE SCREW 6-32 x 1	4	4	4	4
41	76-320-2	NUT, WELD 10-32	2	2	2	2
42	75-441-2	SELF TAPPING SCREW 8-32 x .5	1	1	1	1
43	124-109-2	SEAL O' RING .25 ID x .38 OD	2	2	2	2
44	38-798-1	CABLE, TRANSVERSE TOE 36"	1	1	1	1



HANGER ASSEMBLY
 REFER TO NEXT SHEET FOR PARTS DESCRIPTION LISTING

REAR
 SENSORS ONLY

Index No.	Part Number	Description	LEFT FRONT 306/308	RIGHT FRONT 306/308	LEFT REAR 308	RIGHT REAR 308
			306RH/308RH	306RH/308RH	308RH	308RH
			306HF-RH	306HF-RH	308RH-HF	308RH-HF
			308HF-RH	308HF-RH	308HF	308HF
			306HF/308HF	306HF/308HF		
			306/308HFSS	306/308HFSS		
1	117-147-1	HANGER ASSEMBLY, LEFT FRONT/RIGHT REAR DSP306/308 (Consisting Of:)	REF			REF
OR	117-148-1	HANGER ASSEMBLY, RIGHT FRONT/LEFT REAR DSP306/308 (Consisting Of:)		REF	REF	
OR	117-149-1	HANGER ASSEMBLY, LEFT REAR DSP306 (Consisting Of:)				
OR	117-150-1	HANGER ASSEMBLY, RIGHT REAR DSP306 (Consisting Of:)				
3	11-789-1	SUPPORT ASSEMBLY (Consisting Of:)	1	1	1	1
4	11-787-2	SUPPORT, SENSOR	1	1	1	1
5	130-116-2	BEARING, SENSOR	2	2	2	2
6	97-357-2	SHAFT, SENSOR	1	1	1	1
7	46-414-2	SPACER, BEARING	1	1	1	1
8	98-323-2	SPRING, WASHER	1	1	1	1
9	76-313-2	NUT, HUB	1	1	1	1
10	121-153-2	BLOCK, LOCK	1	1	1	1
11	14-791	BRACKET, LEVEL	1	1	1	1
12	75-472-2	SCREW, SELF TAPPING 8-32 x .75	2	2	2	2
13	221-157-2	LEVEL, CARTRIDGE	1	1	1	1
14	32-101-1	SOCKET, LEVEL LED ASSEMBLY	1	1	1	1
15	32-100-2	SOCKET, LEVEL LED	1	1	1	1
16	75-500-2	SCREW, SELF TAPPING 6-32 x 3/8	2	2	2	2
17	76-61-2	NUT, KEPS 10-32	2	2	2	2
18	99-72-2	GEAR, SPUR 2.25	1	1	1	1
19	223-56-2	RING, BRAKE	1	1	1	1
20	34-127-3	KNOB, LOCK	1	1	1	1
21	75-516-2	TRUSS HEAD MACHINE SCREW 1/4-28 x 1/4	1	1	1	1
22	77-146-2	WASHER, SHOULDER NYLON	1	1	1	1
23	51-1543-1	PLATE ASSEMBLY, OUTER	1	1	1	1
24	75-538-2	FLAT HEAD MACHINE SCREW 10-32 x .63	8	8	8	8
25	51-1545-1	PLATE, TRANSDUCER ASSEMBLY INNER (Consisting Of:)	1	1	1	1
OR	51-1546-1	PLATE, TRANSDUCER ASSEMBLY, INNER REAR (Consisting Of:)				
26	51-1542-1	PLATE ASSEMBLY, INNER	1	1	1	1
27	109-70-2	TRANSDUCER, SMT CAM/CAS	2	2	2	2
28	76-71-2	NUT, KEPS 8-32	6	6	6	6
29	14-794-1	BRACKET ASSEMBLY, BATTERY	1	1	1	1
31	178-22-1	COUPLING ASSEMBLY, ENCODER DRIVE (Consisting Of:)	1	1	1	1
32	97-350-2	SHAFT, ENCODER FLEX	1	1	1	1
33	112-75-2	SNAP RING, 5103-37	1	1	1	1
34	106-93-2	SLEEVE, ENCODER	1	1	1	1
35	113-184-2	BUSHING, HEYCO 3/8 ID x 7/8 OD	1	1	1	1
36	99-92-2	GEAR SPUR, .375 ID	1	1	1	1
37	223-48-2	RING, COMPRESSION	1	1	1	1
38	11-809	SUPPORT, COUNTERWEIGHT				
39	65-38-2	WEIGHT COUNTER, REAR SENSOR				
40	75-90-2	ROUND HEAD MACHINE SCREW 1/4-20 x 3/8				
41	75-446-2	SELF TAPPING SCREW 8-32 x 3/8	4	4	4	4

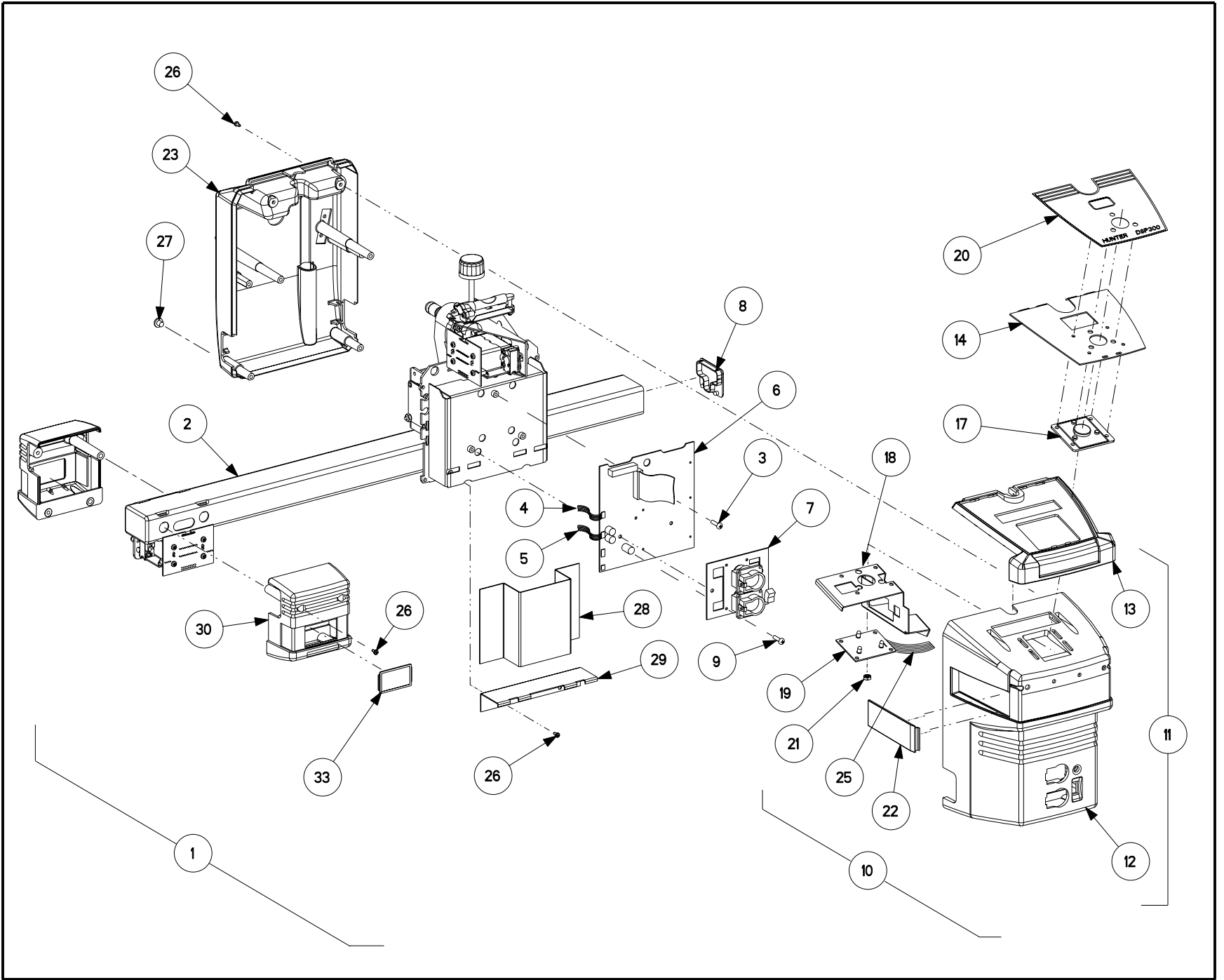


HANGER ASSEMBLY

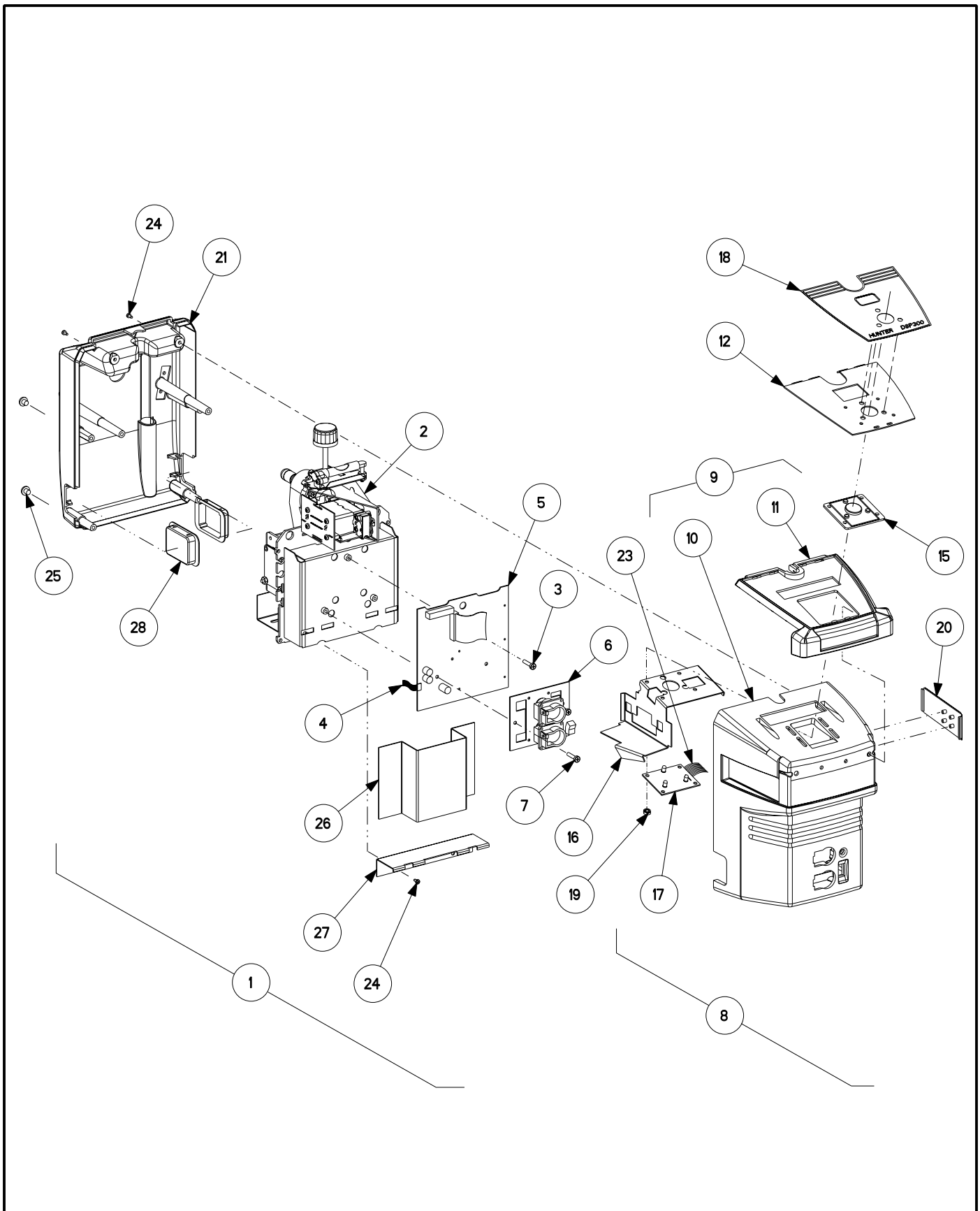
REFER TO NEXT SHEET FOR PARTS DESCRIPTION LISTING

Index No.	Part Number	Description	LEFT FRONT 306/308 306RH/308RH 306HF-RH 308HF-RH 306HF/308HF	RIGHT FRONT 306/308 306RH/308RH 306HF-RH 308HF-RH 306HF/308HF	LEFT REAR 308 308RH 308HF-RH 308HF	RIGHT REAR 308 308RH 308HF-RH 308HF	LEFT REAR 306 306RH 306HF-RH 306HF	RIGHT REAR 306 306RH 306HF-RH 306HF
1	117-147-1	HANGER ASSEMBLY, LEFT FRONT/RIGHT REAR DSP306/308 (Consisting Of:)	REF			REF		
OR	117-148-1	HANGER ASSEMBLY, RIGHT FRONT/LEFT REAR DSP306/308 (Consisting Of:)		REF	REF			
OR	117-149-1	HANGER ASSEMBLY, LEFT REAR DSP306 (Consisting Of:)					REF	
OR	117-150-1	HANGER ASSEMBLY, RIGHT REAR DSP306 (Consisting Of:)						REF
2	11-798-1	SUPPORT TRANSDUCER ASSEMBLY, RIGHT FRONT/LEFT REAR (Consisting Of:)		1	1		1	
OR	11-799-1	SUPPORT TRANSDUCER ASSEMBLY, LEFT FRONT/RIGHT REAR (Consisting Of:)	1			1		1
3	11-842-1	SUPPORT, LONGITUDINAL TOE, RIGHT FRONT/LEFT REAR		1	1		1	
OR	11-843-1	SUPPORT, LONGITUDINAL TOE, LEFT FRONT/RIGHT REAR	1			1		1
5	105-337-1	TRANSDUCER ASSEMBLY, LONGITUDINAL TOE	1	1	1	1	1	1
18	45-705-1	PC ASSEMBLY, CCD TOE	1	1	1	1	1	1
19	75-498-2	PHILLIPS HEAD SHEET METAL SCREW #6 x 1/2 TYPE 25	4	4	4	4	4	4
25	75-501-2	PHILLIPS HEAD MACHINE SCREW 6-32 x 1	4	4	4	4	4	4
26	75-446-2	SELF TAPPING SCREW 8-32 x 3/8	4	4	4	4	4	4

DSP 304/306/308 SENSOR ASSEMBLY
REFER TO NEXT SHEET FOR PARTS DESCRIPTION LISTING



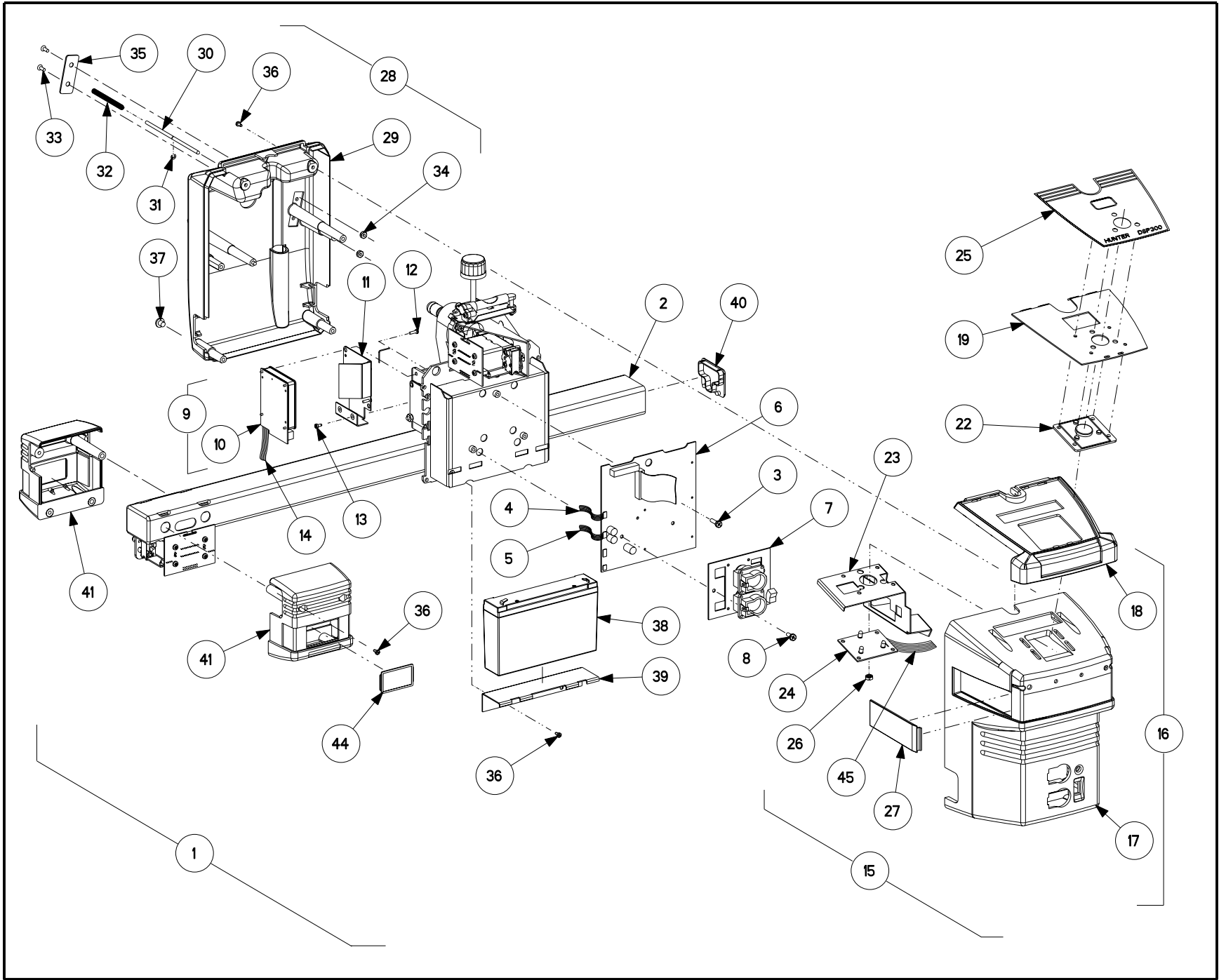
Index No.	Part Number	Description	LEFT FRONT 304/306/308	RIGHT FRONT 304/306/308	LEFT REAR 308	RIGHT REAR 308
1	125-281-1	LEFT FRONT DSP 304/306/308 SENSOR ASSEMBLY (Consisting Of:)	1			
OR	125-282-1	RIGHT FRONT DSP 304/306/308 SENSOR ASSEMBLY (Consisting Of:)		1		
OR	125-283-1	LEFT REAR DSP308 SENSOR ASSEMBLY (Consisting Of:)			1	
OR	125-284-1	RIGHT REAR DSP308 SENSOR ASSEMBLY (Consisting Of:)				1
2	117-147-1	HANGER ASSEMBLY, LEFT FRONT/RIGHT REAR (Consisting Of:)	1			1
OR	117-148-1	HANGER ASSEMBLY, RIGHT FRONT/LEFT REAR (Consisting Of:)		1	1	
3	75-80-2	ROUND HEAD MACHINE SCREW 8-32 x .63	1	1	1	1
4	38-800-1	CABLE, CAMBER, 6 INCH	1	1	1	1
5	38-801-1	CABLE, CASTER, 10 INCH	1	1	1	1
6	45-839-1	PC ASSEMBLY, TRANSDUCER CONTROL	1	1	1	1
7	45-637-1	PC ASSEMBLY, BURNDY	1	1	1	1
8	53-101-2	CAP, TOE ARM	1	1		
9	75-414-2	PHILLIPS HEAD MACHINE SCREW 8-32 x 3/4	2	3	3	3
10	69-917-1	COVER ASSEMBLY, FRONT (Consisting Of:)	1			1
OR	69-918-1	COVER ASSEMBLY, FRONT (Consisting Of:)		1	1	
11	69-911-3	COVER, FRONT WITH CAP (Consisting Of:)	1	1	1	1
12	69-857-2	COVER, FRONT	1	1	1	1
13	53-97-2	CAP, SENSOR BOX	1	1	1	1
14	51-1538-1	PLATE, ASSEMBLY COMPENSATION	1	1	1	1
17	64-117-2	PAD, COMPENSATION KEY	1	1	1	1
18	14-800	BRACKET, TOE BAFFLE RIGHT		1	1	
OR	14-801	BRACKET, TOE BAFFLE LEFT	1			1
19	45-775-1	PC ASSEMBLY, COMPENSATION	1	1	1	1
20	128-528-2	LABEL, COMP SWITCH	1	1	1	1
21	76-71-2	NUT, KEPS 8-32	4	4	4	4
22	51-1513-2	PLATE, LTOE BLANKING	1	1	1	1
23	69-858-2	COVER, REAR	1	1	1	1
25	38-806-1	CABLE ASSEMBLY, COMP SWITCH	1	1	1	1
26	75-441-2	SCREW, SELF TAPPING SCREW 8-32 x .50	8	8	8	8
27	75-295-2	ROUND HEAD MACHINE SCREW 8-32 x .75	4	4	4	4
28	46-430	SPACER, BATTERY	1	1	1	1
29	12-148	CLAMP, BATTERY	1	1	1	1
30	69-912-3	COVER, TOEBOX, WITH CAP	2	2	2	2
33	51-1512-2	PLATE, TTOE BLANKING	1	1	1	1
34	128-154-2	DECAL, SENSOR LOCATION WARNING (Not Illustrated)	1	1	1	1
35	128-390-2	DECAL, SENSOR DISCONNECT POWER (Not Illustrated)	1	1	1	1
36	128-430-2	DECAL, UL FOR CANADA (Not Illustrated)	1	1	1	1
37	128-72-2	DECAL, UL (Not Illustrated)	1	1	1	1
38	24-54-2	NAMEPLATE, PATENT LABEL (Not Illustrated)	1	1	1	1
39	24-51-2	NAMEPLATE, HUNTER MODEL & PART (Not Illustrated)	1	1	1	1



DSP306/308 SENSOR ASSEMBLY
 REFER TO NEXT SHEET FOR PARTS DESCRIPTION LISTING

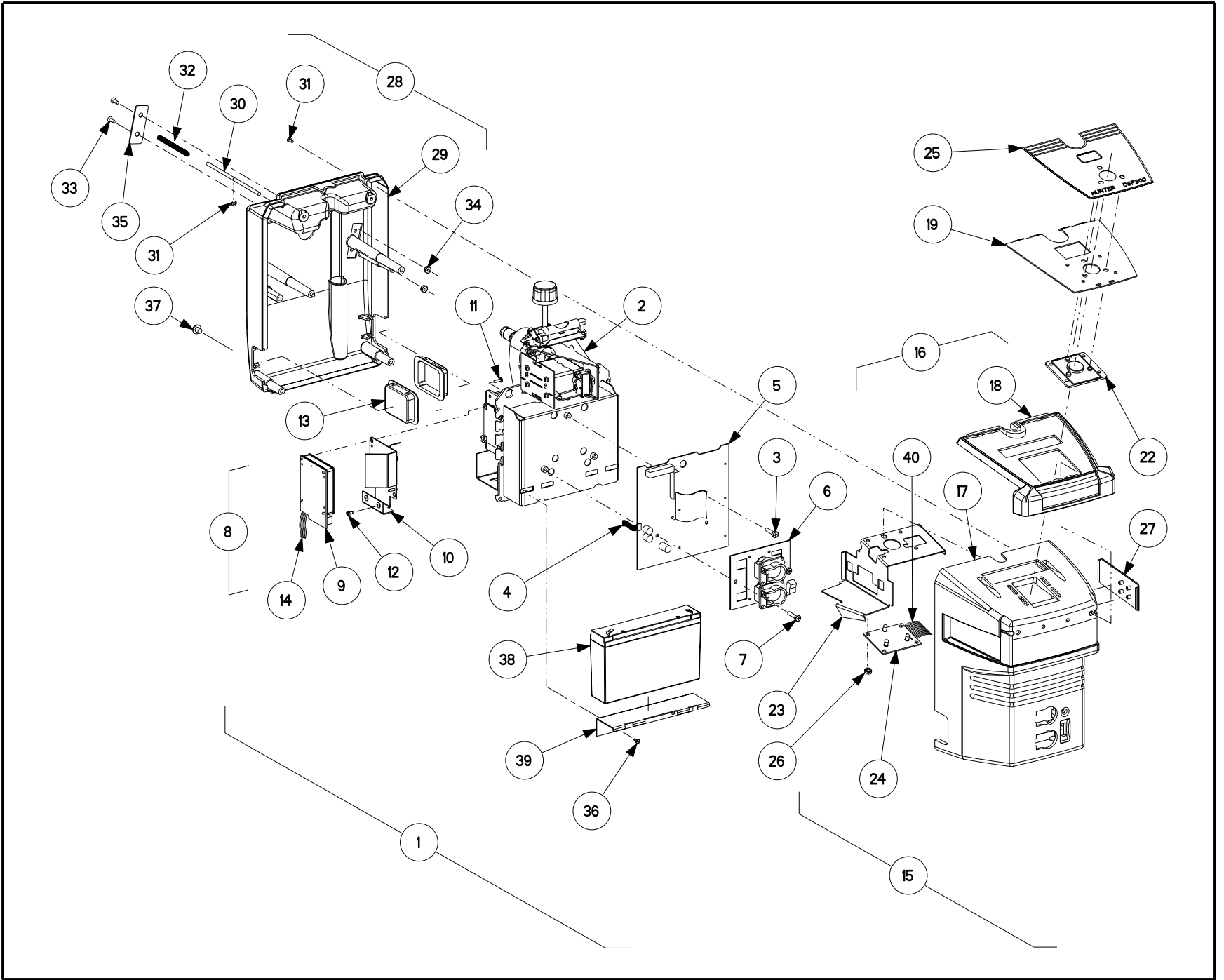
Index No.	Part Number	Description	LEFT REAR 306	RIGHT REAR 306
1	125-285-1	LEFT REAR DSP306 SENSOR ASSEMBLY (Consisting Of:)	1	
OR	125-286-1	RIGHT REAR DSP306 SENSOR ASSEMBLY (Consisting Of:)		1
2	117-149-1	HANGER ASSEMBLY, LEFT REAR (Consisting Of:)	1	
OR	117-150-1	HANGER ASSEMBLY, RIGHT REAR (Consisting Of:)		1
3	75-80-2	ROUND HEAD MACHINE SCREW 8-32 x .63	1	1
4	38-800-1	CABLE, DSP306 CAMBER, 6 INCH	1	1
5	45-839-1	PC ASSEMBLY, TRANSDUCER CONTROL	1	1
6	45-637-1	PC ASSEMBLY, BURNDY	1	1
7	75-414-2	PHILLIPS HEAD MACHINE SCREW 8-32 x 3/4	2	2
8	69-917-1	COVER ASSEMBLY (Consisting Of:)		1
OR	69-918-1	COVER ASSEMBLY (Consisting Of:)	1	
9	69-911-3	COVER, FRONT WITH CAP (Consisting Of:)	1	1
10	69-857-2	COVER, FRONT	1	1
11	53-97-2	CAP, SENSOR BOX	1	1
12	51-1538-1	PLATE ASSEMBLY, COMPENSATION	1	1
15	64-117-2	PAD, COMPENSATION KEY	1	1
16	14-800	BRACKET, TOE BAFFLE RIGHT	1	
OR	14-801	BRACKET, TOE BAFFLE LEFT		1
17	45-775-1	PC ASSEMBLY, COMPENSATION	1	1
18	128-528-2	LABEL, COMPENSATION SWITCH	1	1
19	76-71-2	NUT, KEPS 8-32	4	4
20	51-1513-2	PLATE, TOE BLANKING	1	1
21	69-858-2	COVER, REAR	1	1
23	38-806-1	CABLE ASSEMBLY, COMP SWITCH	1	1
24	75-441-2	SCREW, SELF TAPPING 8-32 x .50	4	4
25	75-295-2	ROUND HEAD MACHINE SCREW 8-32 x .75	4	4
26	46-430	SPACER, BATTERY	1	1
27	12-148	CLAMP, BATTERY	1	1
28	53-94-2	TOE, CAP	2	2
29	128-154-2	DECAL, SENSOR LOCATION WARNING (Not Illustrated)	1	1
30	128-390-2	DECAL, SENSOR DISCONNECT POWER (Not Illustrated)	1	1
31	128-430-2	DECAL, UL FOR CANADA (Not Illustrated)	1	1
32	128-72-2	DECAL, UL (Not Illustrated)	1	1
33	24-54-2	NAMEPLATE, PATENT LABEL (Not Illustrated)	1	1
34	24-51-2	NAMEPLATE, HUNTER MODEL & PART (Not Illustrated)	1	1

DSP306/308 SENSOR ASSEMBLY
REFER TO NEXT SHEET FOR PARTS DESCRIPTION LISTING



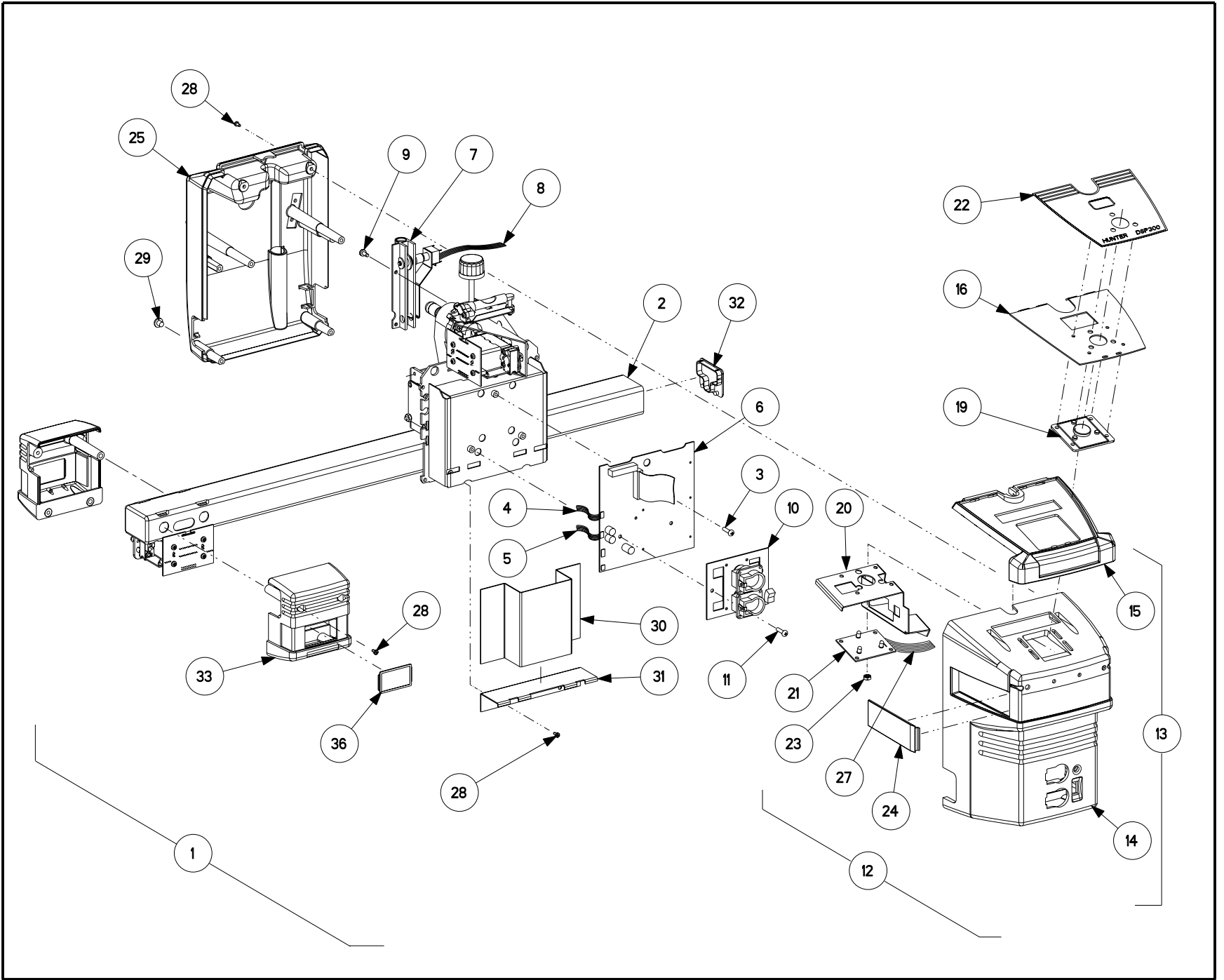
Index No.	Part Number	Description	LEFT FRONT 306HF 308HF	RIGHT FRONT 306HF 308HF	LEFT REAR 308HF	RIGHT REAR 308HF
1	125-287-1	SENSOR ASSEMBLY, LEFT FRONT DSP306/308HF (Consisting Of:)	1			
OR	125-288-1	SENSOR ASSEMBLY, RIGHT FRONT DSP306/308HF (Not Illustrated) (Consisting Of:)		1		
OR	125-289-1	SENSOR ASSEMBLY, LEFT REAR DSP308HF (Not Illustrated) (Consisting Of:)			1	
OR	125-290-1	SENSOR ASSEMBLY, RIGHT REAR DSP308HF (Not Illustrated) (Consisting Of:)				1
2	117-147-1	HANGER ASSEMBLY, LEFT FRONT/ RIGHT REAR (Consisting Of:)	1			1
OR	117-148-1	HANGER ASSEMBLY, RIGHT FRONT/ LEFT REAR (Not Illustrated) (Consisting Of:)		1	1	
3	75-80-2	ROUND HEAD MACHINE SCREW 8-32 x .63	1	1	1	1
4	38-800-1	CABLE, CAMBER, 6 INCH	1	1	1	1
5	38-801-1	CABLE, CASTER, 10 INCH	1	1	1	1
6	45-838-1	PC TRANSDUCER, HF	1	1	1	1
7	45-637-1	PC ASSEMBLY, BURDNY	1	1	1	1
8	75-414-2	PHILLIPS HEAD MACHINE SCREW 8-32 x 3/4	2	2	2	2
9	232-89-1	ELECTRONIC ASSEMBLY, 2.4 GHZ (Consisting Of:)	1	1	1	1
10	45-709-3	PC ASSEMBLY, RF TRANSCEIVER	1	1	1	1
11	14-795-1	BRACKET ASSEMBLY, TRANSCEIVER	1	1	1	1
12	75-364-2	PHILLIPS HEAD SHEET METAL SCREW 4 x 3/8	3	3	3	3
13	75-326-2	SCREW, SELF TAPPING 8-32 x 5/16	2	2	2	2
14	70-142-3	HARNESS, RF BATTERY	1	1	1	1
15	69-917-1	COVER ASSEMBLY, FRONT LEFT FRONT/RIGHT REAR (Consisting Of:)	1	1	1	1
OR	69-918-1	COVER ASSEMBLY, FRONT (Not Illustrated) (Consisting Of:)	1	1	1	1
16	69-911-3	COVER FRONT, WITH CAP (Consisting Of:)	1	1	1	1
17	69-857-2	COVER, FRONT	1	1	1	1
18	53-97-2	CAP, SENSOR BOX	1	1	1	1
19	51-1538-1	PLATE, ASSEMBLY COMPENSATION	1	1	1	1
22	64-117-2	PAD, COMPENSATION KEY	1	1	1	1
23	14-800	BRACKET, TOE BAFFLE RIGHT	1	1	1	1
OR	14-801	BRACKET, TOE BAFFLE LEFT	1	1	1	1
24	45-775-1	PC ASSEMBLY, COMPENSATION	1	1	1	1
25	128-528-2	LABEL, COMP SWITCH	1	1	1	1
26	76-71-2	NUT, KEPS 8-32	4	4	4	4
27	51-1512-2	PLATE, LTOE BLANKING	1	1	1	1
28	69-886-1	COVER ASSEMBLY, REAR (Consisting Of:)	1	1	1	1
29	69-858-2	COVER, REAR	1	1	1	1
30	135-290-2	PIN, PLUNGER	2	2	2	2
31	112-76-2	SNAP RING 5133-14	2	2	2	2
32	98-321-2	SPRING, COMPRESSION RECHARGE	2	2	2	2
33	75-447-2	FLAT HEAD MACHINE SCREW 6-32 x .38	4	4	4	4
34	76-84-2	NUT, KEPS 6-32	4	4	4	4
35	51-1369	PLATE, CONTACT	2	2	2	2
36	75-441-2	SCREW, SELF TAPPING 8-32 x .5	8	8	8	8
37	75-295-2	ROUND HEAD MACHINE SCREW 8-32 x .75	4	4	4	4
38	194-18-2	BATTERY, 6V 6.5 AH LEAD-ACID	1	1	1	1
39	12-148	CLAMP, BATTERY	1	1	1	1
40	53-101-2	CAP, TOE ARM	1	1	1	1
41	69-912-3	COVER, TOE BOX WITH CAP	2	2	2	2
44	51-1512-2	PLATE, TTOE BLANKING	1	1	1	1
45	38-806-1	CABLE ASSEMBLY, COMP SWITCH	1	1	1	1
46	128-154-2	DECAL, SENSOR LOCATION WARNING (Not Illustrated)	1	1	1	1
47	128-390-2	DECAL,SENSOR DISCONNECT POWER (Not Illustrated)	1	1	1	1
48	128-430-2	DECAL, UL FOR CANADA (Not Illustrated)	1	1	1	1
49	128-72-2	DECAL, UL (Not Illustrated)	1	1	1	1
50	24-54-2	NAMEPLATE, PATENT LABEL (Not Illustrated)	1	1	1	1
51	24-51-2	NAMEPLATE, HUNTER MODEL & PART (Not Illustrated)	1	1	1	1

DSP306/308 SENSOR ASSEMBLY
REFER TO NEXT SHEET FOR PARTS DESCRIPTION LISTING

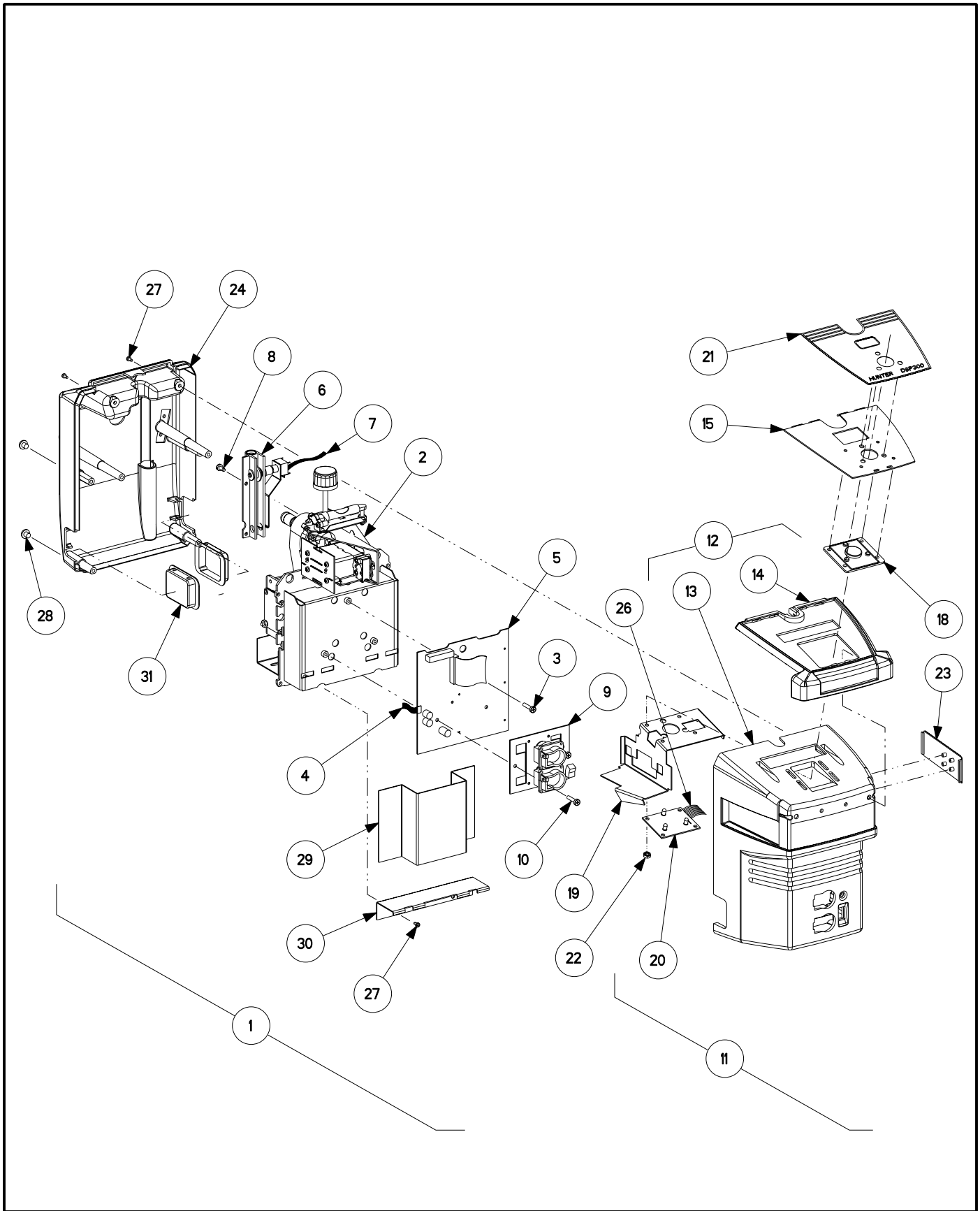


Index No.	Part Number	Description	LEFT REAR 306HF	RIGHT REAR 306HF
1	125-291-1	LEFT REAR DSP306HF SENSOR ASSEMBLY (Consisting Of:)	1	
OR	125-292-1	RIGHT REAR DSP306HF SENSOR ASSEMBLY (Consisting Of:)		1
2	117-149-1	HANGER ASSEMBLY, LEFT REAR	1	
OR	117-150-1	HANGER ASSEMBLY, RIGHT REAR		1
3	75-80-2	ROUND HEAD MACHINE SCREW 8-32 x .63	1	1
4	38-800-1	CABLE, CAMBER 6 INCH	1	1
5	45-838-1	PC ASSEMBLY, HF	1	1
6	45-637-1	PC ASSEMBLY, BURNDY	1	1
7	75-414-2	PHILLIPS HEAD MACHINE SCREW 8-32 x 3/4	2	2
8	232-89-1	ELECTRONIC ASSEMBLY, 2.4 GHZ SENSOR (Consisting Of:)	1	1
9	45-709-3PC	ASSEMBLY, RF TRANSCEIVER 2.4 GHZ	1	1
10	14-795-1	BRACKET ASSEMBLY, TRANSCEIVER	1	1
11	75-364-2	PHILLIPS HEAD MACHINE SCREW 4 x 3/8	3	3
12	75-326-2	SCREW, SELF TAPPING 8-32 x 5/16	2	2
13	53-101-2	CAP, TOE ARM	2	2
14	70-142-3	HARNESS, RF/BATTERY	1	1
15	69-917-1	COVER ASSEMBLY (Consisting Of:)		1
OR	69-918-1	COVER ASSEMBLY (Consisting Of:)	1	
16	69-911-3	COVER, FRONT WITH CAP (Consisting Of:)	1	1
17	69-857-2	COVER, FRONT	1	1
18	53-97-2	CAP, SENSOR BOX	1	1
19	51-1538-1	PLATE ASSEMBLY, COMPENSATION	1	1
22	64-117-2	PAD, COMPENSATION KEY	1	1
23	14-800	BRACKET, TOE BAFFLE RIGHT	1	
OR	14-801	BRACKET, TOE BAFFLE LEFT		1
24	45-775-1	PC ASSEMBLY, COMPENSATION	1	1
25	128-528-2	LABEL, COMPENSATION SWITCH	1	1
26	76-71-2	NUT, KEPS 8-32	4	4
27	51-1513-2	PLATE, TOE BLANKING	1	1
28	69-886-1	COVER, REAR (Consisting Of:)	1	1
29	69-858-2	COVER, REAR	1	1
30	135-290-2	PIN, PLUNGER	2	2
31	112-76-2	SNAP RING 5133-14	2	2
32	98-321-2	SPRING, COMPRESSION	2	2
33	75-447-2	FLAT HEAD MACHINE SCREW 6-32 x .38	4	4
34	76-84-2	NUT, KEPS 6-32	4	4
35	51-1369	PLATE CONTACT	2	2
36	75-441-2	SCREW, SELF TAPPING 8-32 x .50	4	4
37	75-295-2	ROUND HEAD MACHINE SCREW 8-32 x .75	4	4
38	194-18-2	BATTERY, 6V 6.5 AH LEAD ACID	1	1
39	12-148	CLAMP, BATTERY	1	1
40	38-806-1	CABLE ASSEMBLY, COMP SWITCH	1	1
41	128-154-2	DECAL, SENSOR LOCATION WARNING (Not Illustrated)	1	1
42	128-390-2	DECAL, SENSOR DISCONNECT POWER (Not Illustrated)	1	1
43	128-430-2	DECAL, UL FOR CANADA (Not Illustrated)	1	1
44	128-72-2	DECAL, UL (Not Illustrated)	1	1
45	24-54-2	NAMEPLATE, PATENT LABEL (Not Illustrated)	1	1
46	24-51-2	NAMEPLATE, HUNTER MODEL & PART (Not Illustrated)	1	1

DSP306/308 SENSOR ASSEMBLY
REFER TO NEXT SHEET FOR PARTS DESCRIPTION LISTING



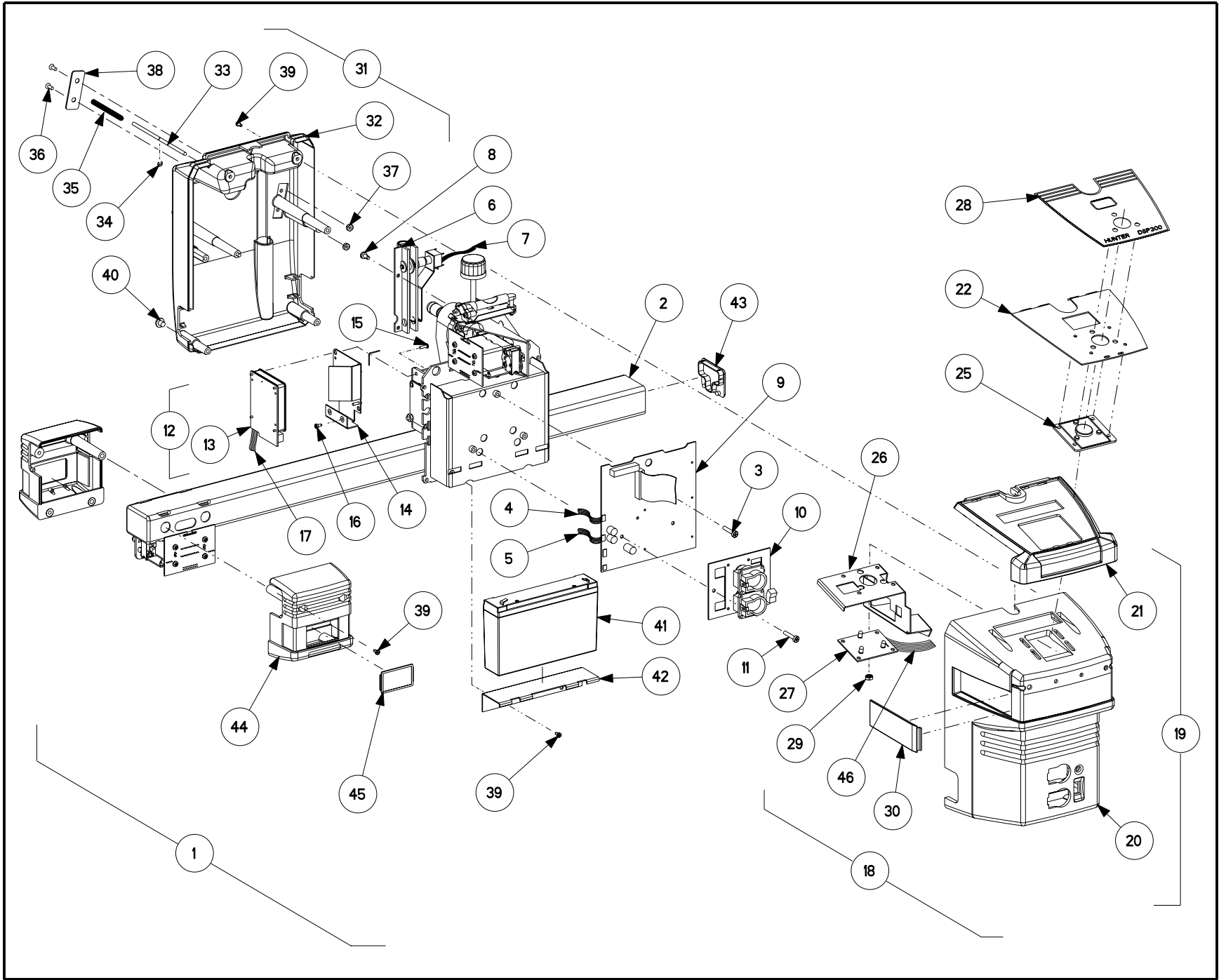
Index No.	Part Number	Description	LEFT FRONT 306RH 308RH	RIGHT FRONT 306RH 308RH	LEFT REAR 308RH	RIGHT REAR 308RH
1	125-281-1-RH	SENSOR ASSEMBLY, LEFT FRONT DSP306/308RH (Consisting Of:)	1			
OR	125-282-1-RH	SENSOR ASSEMBLY, RIGHT FRONT DSP306/308RH (Not Illustrated) (Consisting Of:)		1		
OR	125-283-1-RH	SENSOR ASSEMBLY, LEFT REAR DSP308RH (Not Illustrated) (Consisting Of:)			1	
OR	125-284-1-RH	SENSOR ASSEMBLY, RIGHT REAR DSP308RH (Not Illustrated) (Consisting Of:)				1
2	117-147-1	HANGER ASSEMBLY, LEFT FRONT/RIGHT REAR (Consisting Of:)	1			1
OR	117-148-1	HANGER ASSEMBLY, RIGHT FRONT/LEFT REAR (Not Illustrated) (Consisting Of:)		1	1	
3	75-80-2	ROUND HEAD MACHINE SCREW 8-32 x .63	1	1	1	1
4	38-800-1	CABLE, CAMBER, 6 INCH	1	1	1	1
5	38-801-1	CABLE, CASTER, 10 INCH	1	1	1	1
6	45-839-1	PC ASSEMBLY, TRANSDUCER CONTROL	1	1	1	1
7	109-86-1	TRANSDUCER ASSEMBLY, RIDE HEIGHT	1	1	1	1
8	38-839-1	CABLE, RIDE HEIGHT	1	1	1	1
9	75-446-2	SELF TAPPING SCREW 8-32 x 3/8	2	2	2	2
10	45-637-1	PC ASSEMBLY, BURDNY	1	1	1	1
11	75-414-2	PHILLIPS HEAD MACHINE SCREW 8-32 x 3/4	2	2	2	2
12	69-917-1	COVER ASSEMBLY, FRONT LEFT FRONT/ RIGHT REAR (Consisting Of:)	1	1	1	1
OR	69-918-1	COVER ASSEMBLY, FRONT (Not Illustrated) (Consisting Of:)	1	1	1	1
13	69-911-3	COVER FRONT, WITH CAP (Consisting Of:)	1	1	1	1
14	69-857-2	COVER, FRONT	1	1	1	1
15	53-97-2	CAP, SENSOR BOX	1	1	1	1
16	51-1538-1	PLATE, ASSEMBLY COMPENSATION	1	1	1	1
19	64-117-2	PAD, COMPENSATION KEY	1	1	1	1
20	14-800	BRACKET, TOE BAFFLE RIGHT	1	1	1	1
OR	14-801	BRACKET, TOE BAFFLE LEFT	1	1	1	1
21	45-775-1	PC ASSEMBLY, COMPENSATION	1	1	1	1
22	128-528-2	LABEL, COMP SWITCH	1	1	1	1
23	76-71-2	NUT, KEPS 8-32	4	4	4	4
24	51-1512-2	PLATE, LTOE BLANKING	1	1	1	1
25	69-858-1	COVER ASSEMBLY, REAR	1	1	1	1
27	38-806-1	CABLE ASSEMBLY, COMP SWITCH	1	1	1	1
28	75-441-2	SCREW, SELF TAPPING 8-32 x .5	8	8	8	8
29	75-295-2	ROUND HEAD MACHINE SCREW 8-32 x .75	4	4	4	4
30	46-430	SPACER, BATTERY	1	1	1	1
31	12-148	CLAMP, BATTERY	1	1	1	1
32	53-101-2	CAP, TOE ARM	1	1	1	1
33	69-912-3	COVER, TOE BOX WITH CAP	2	2	2	2
36	51-1512-2	PLATE, TTOE BLANKING	1	1	1	1
37	128-154-2	DECAL, SENSOR LOCATION WARNING (Not Illustrated)	1	1	1	1
38	128-390-2	DECAL, SENSOR DISCONNECT POWER (Not Illustrated)	1	1	1	1
39	128-430-2	DECAL, UL FOR CANADA (Not Illustrated)	1	1	1	1
40	128-72-2	DECAL, UL (Not Illustrated)	1	1	1	1
41	24-54-2	NAMEPLATE, PATENT LABEL (Not Illustrated)	1	1	1	1
42	24-51-2	NAMEPLATE, HUNTER MODEL & PART (Not Illustrated)	1	1	1	1



DSP306/308 SENSOR ASSEMBLY
REFER TO NEXT SHEET FOR PARTS DESCRIPTION LISTING

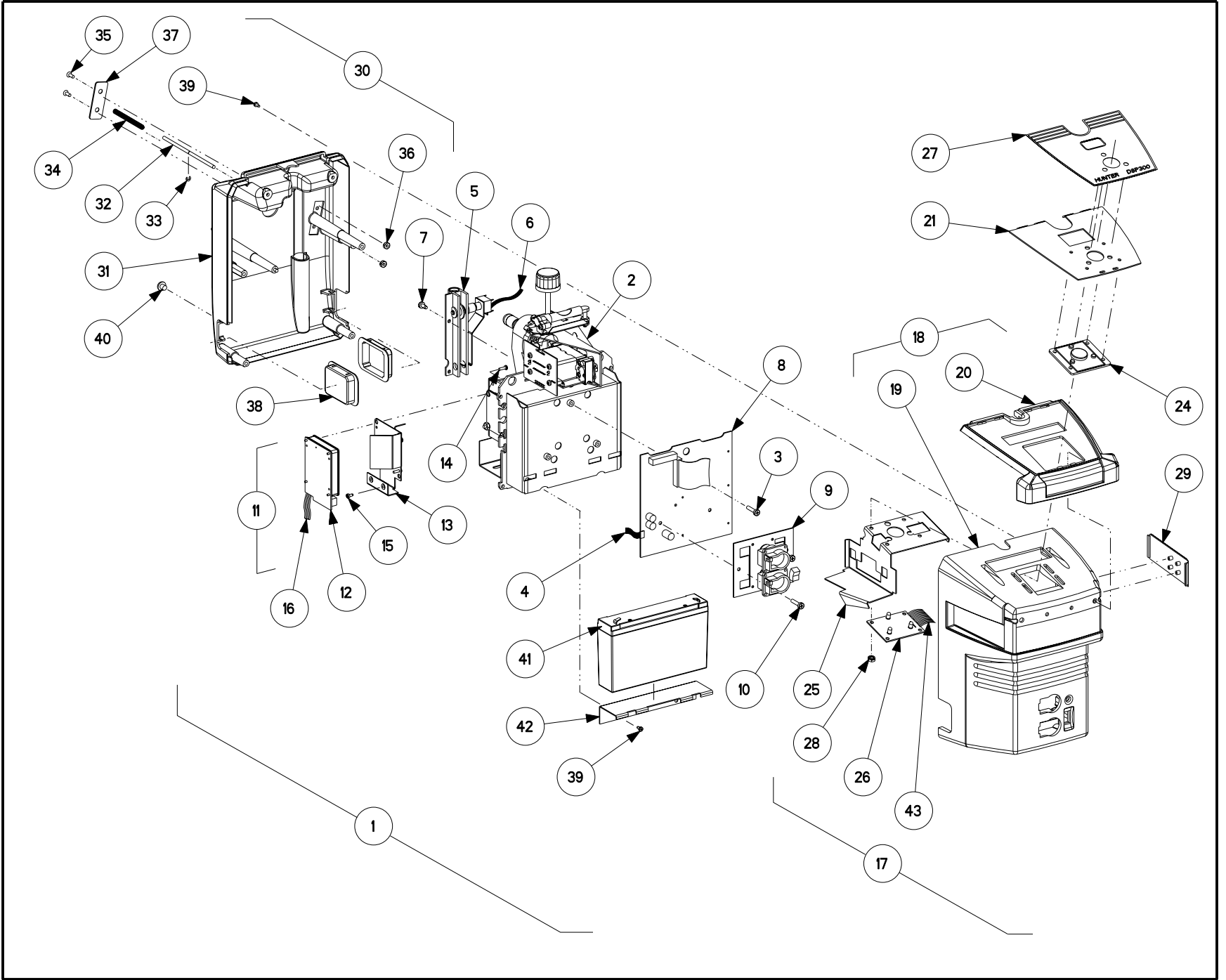
Index No.	Part Number	Description	LEFT REAR 306RH	RIGHT REAR 306RH
1	125-285-1-RH	LEFT REAR DSP306RH SENSOR ASSEMBLY (Consisting Of:)	1	
OR	125-286-1-RH	RIGHT REAR DSP306RH SENSOR ASSEMBLY (Consisting Of:)		1
2	117-149-1	HANGER ASSEMBLY, LEFT REAR (Consisting Of:)	1	
OR	117-150-1	HANGER ASSEMBLY, RIGHT REAR (Consisting Of:)		1
3	75-80-2	ROUND HEAD MACHINE SCREW 8-32 x .63	1	1
4	38-800-1	CABLE, CAMBER 6 INCH	1	1
5	45-839-1	PC ASSEMBLY, TRANSDUCER CONTROL	1	1
6	109-86-1	TRANSDUCER ASSEMBLY, RIDE HEIGHT	1	1
7	38-839-1	CABLE, RIDE HEIGHT	1	1
8	75-446-2	SELF TAPPING SCREW 8-32 x 3/8	2	2
9	45-637-1	PC ASSEMBLY, BURNDY	1	1
10	75-414-2	PHILLIPS HEAD MACHINE SCREW 8-32 x 3/4	2	2
11	69-917-1	COVER ASSEMBLY (Consisting Of:)		1
OR	69-918-1	COVER ASSEMBLY (Consisting Of:)	1	
12	69-911-3	COVER, FRONT WITH CAP (Consisting Of:)	1	1
13	69-857-2	COVER, FRONT	1	1
14	53-97-2	CAP, SENSOR BOX	1	1
15	51-1538-1	PLATE ASSEMBLY, COMPENSATION	1	1
18	64-117-2	PAD, COMPENSATION KEY	1	1
19	14-800	BRACKET, TOE BAFFLE RIGHT	1	
OR	14-801	BRACKET, TOE BAFFLE LEFT		1
20	45-775-1	PC ASSEMBLY, COMPENSATION	1	1
21	128-528-2	LABEL, COMPENSATION SWITCH	1	1
22	76-71-2	NUT, KEPS 8-32	4	4
23	51-1513-2	PLATE, TOE BLANKING	1	1
24	69-858-2	COVER, REAR	1	1
26	38-806-1	CABLE ASSEMBLY, COMP SWITCH	1	1
27	75-441-2	SCREW, SELF TAPPING 8-32 x .50	4	4
28	75-295-2	ROUND HEAD MACHINE SCREW 8-32 x 1.5	4	4
29	46-430	SPACER, BATTERY	1	1
30	12-148	CLAMP, BATTERY	1	1
31	53-94-2	TOE, CAP	2	2
32	128-154-2	DECAL, SENSOR LOCATION WARNING (Not Illustrated)	1	1
33	128-390-2	DECAL, SENSOR DISCONNECT POWER (Not Illustrated)	1	1
34	128-430-2	DECAL, UL FOR CANADA (Not Illustrated)	1	1
35	128-72-2	DECAL, UL (Not Illustrated)	1	1
36	24-54-2	NAMEPLATE, PATENT LABEL (Not Illustrated)	1	1
37	24-51-2	NAMEPLATE, HUNTER MODEL & PART (Not Illustrated)	1	1

DSP306/308 SENSOR ASSEMBLY
REFER TO NEXT SHEET FOR PARTS DESCRIPTION LISTING



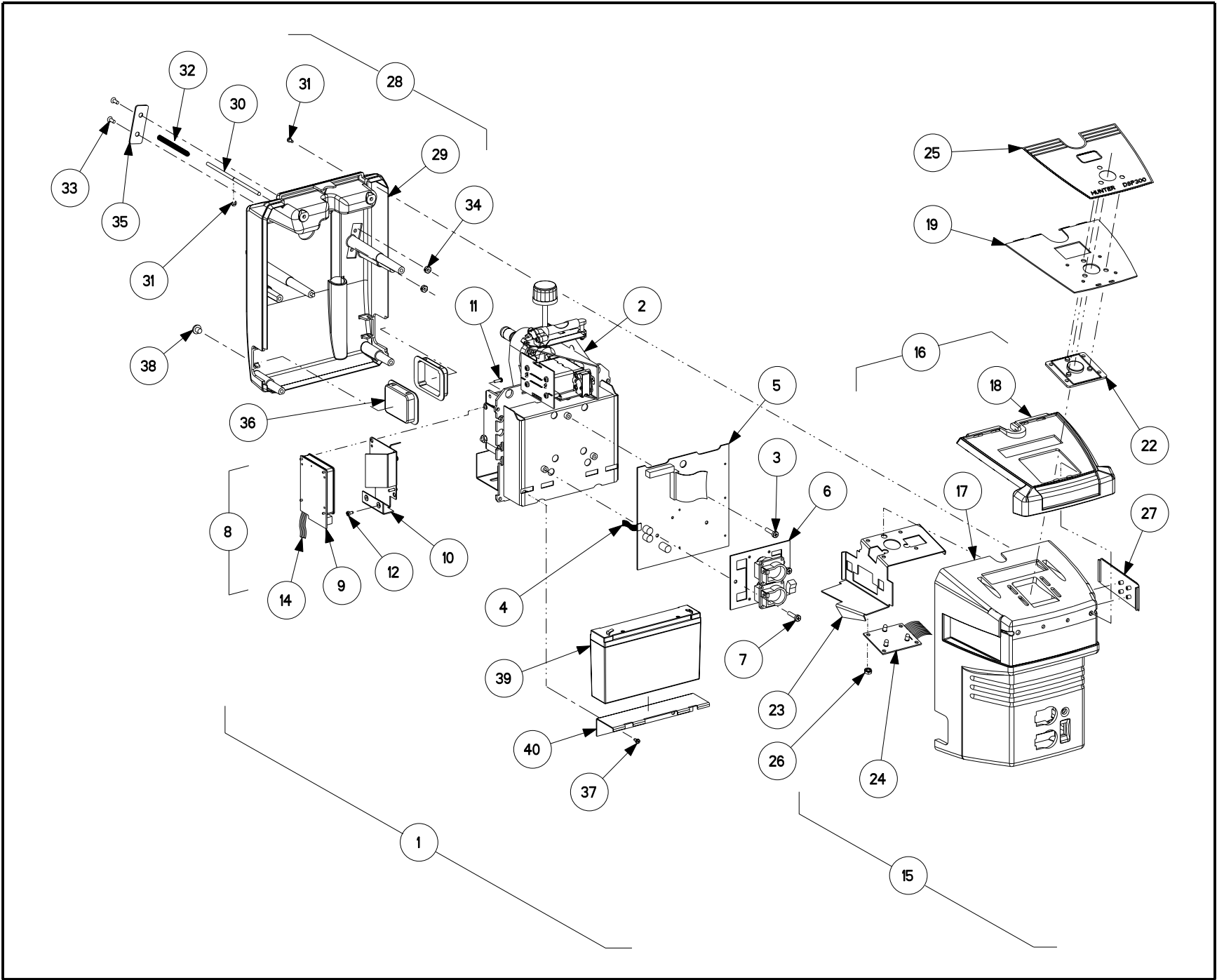
Index No.	Part Number	Description	LEFT FRONT	RIGHT FRONT	LEFT REAR	RIGHT REAR
			306HF/RH 308HF/RH	306HF/RH 308HF/RH	308HF/RH	308HF/RH
1	125-287-1-RH	SENSOR ASSEMBLY, LEFT FRONT DSP306/308HF-RH (Consisting Of:)	1			
OR	125-288-1-RH	SENSOR ASSEMBLY, RIGHT FRONT DSP306/308HF-RH (Not Illustrated) (Consisting Of:)		1		
OR	125-289-1-RH	SENSOR ASSEMBLY, LEFT REAR DSP308HF-RH (Not Illustrated) (Consisting Of:)			1	
OR	125-290-1-RH	SENSOR ASSEMBLY, RIGHT REAR DSP308HF-RH (Not Illustrated) (Consisting Of:)				1
2	117-147-1	HANGER ASSEMBLY, LEFT FRONT/ RIGHT REAR (Consisting Of:)	1			1
OR	117-148-1	HANGER ASSEMBLY, RIGHT FRONT/ LEFT REAR (Not Illustrated) (Consisting Of:)		1	1	
3	75-80-2	ROUND HEAD MACHINE SCREW 8-32 x .63	1	1	1	1
4	38-800-1	CABLE, CAMBER, 6 INCH	1	1	1	1
5	38-801-1	CABLE, CASTER, 10 INCH	1	1	1	1
6	109-86-1	TRANSDUCER ASSEMBLY, RIDE HEIGHT	1	1	1	1
7	38-839-1	CABLE, RIDE HEIGHT	1	1	1	1
8	75-446-2	SELF TAPPING 8-32 x 3/8	2	2	2	2
9	45-838-1	PC TRANSDUCER, HF	1	1	1	1
10	45-637-1	PC ASSEMBLY, BURDNY	1	1	1	1
11	75-414-2	PHILLIPS HEAD MACHINE SCREW 8-32 x 3/4 GR8	2	2	2	2
12	232-89-1	ELECTRONIC ASSEMBLY, 2.4 GHZ SENSORS (Consisting Of:)	1	1	1	1
13	45-709-3	PC ASSEMBLY, RF TRANSCEIVER	1	1	1	1
14	14-795-1	BRACKET ASSEMBLY, TRANSCEIVER	1	1	1	1
15	75-364-2	PHILLIPS HEAD SHEET METAL SCREW 4 x 3/8	3	3	3	3
16	75-326-2	SCREW, SELF TAPPING 8-32 x 5/16	2	2	2	2
17	70-142-3	HARNESS, RF BATTERY	1	1	1	1
18	69-917-1	COVER ASSEMBLY, FRONT LEFT FRONT/ RIGHT REAR (Consisting Of:)	1	1	1	1
OR	69-918-1	COVER ASSEMBLY, FRONT (Not Illustrated) (Consisting Of:)	1	1	1	1
19	69-911-3	COVER FRONT, WITH CAP (Consisting Of:)	1	1	1	1
20	69-857-2	COVER, FRONT	1	1	1	1
21	53-97-2	CAP, SENSOR BOX	1	1	1	1
22	51-1538-1	PLATE, ASSEMBLY COMPENSATION	1	1	1	1
25	64-117-2	PAD, COMPENSATION KEY	1	1	1	1
26	14-800	BRACKET, TOE BAFFLE RIGHT	1	1	1	1
OR	14-801	BRACKET, TOE BAFFLE LEFT	1	1	1	1
27	45-775-1	PC ASSEMBLY, COMPENSATION	1	1	1	1
28	128-528-2	LABEL, COMP SWITCH	1	1	1	1
29	76-71-2	NUT, KEPS 8-32	4	4	4	4
30	51-1512-2	PLATE, LTOE BLANKING	1	1	1	1
31	69-886-1	COVER ASSEMBLY, REAR (Consisting Of:)	1	1	1	1
32	69-858-2	COVER, REAR	1	1	1	1
33	135-290-2	PIN, PLUNGER	2	2	2	2
34	112-76-2	SNAP RING 5133-14	2	2	2	2
35	98-321-2	SPRING, COMPRESSION RECHARGE	2	2	2	2
36	75-447-2	FLAT HEAD MACHINE SCREW 6-32 x .38	4	2	2	2
37	76-84-2	NUT, KEPS 6-32	4	2	2	2
38	51-1369	PLATE, CONTACT	2	2	2	2
39	75-441-2	SCREW, SELF TAPPING 8-32 x .5	8	8	8	8
40	75-295-2	ROUND HEAD MACHINE SCREW 8-32 x .75	4	4	4	4
41	194-18-2	BATTERY, 6V 6.5 AH LEAD-ACID	1	1	1	1
42	12-148	CLAMP, BATTERY	1	1	1	1
43	53-101-2	CAP, TOE ARM	1	1	1	1
44	69-912-3	COVER, TOE BOX WITH CAP	2	2	2	2
45	51-1512-2	PLATE, TTOE BLANKING	1	1	1	1
46	38-806-1	CABLE ASSEMBLY, COMP SWITCH	1	1	1	1
47	128-154-2	DECAL, SENSOR LOCATION WARNING (Not Illustrated)	1	1	1	1
48	128-390-2	DECAL, SENSOR DISCONNECT POWER (Not Illustrated)	1	1	1	1
49	128-430-2	DECAL, UL FOR CANADA (Not Illustrated)	1	1	1	1
50	128-72-2	DECAL, UL (Not Illustrated)	1	1	1	1
51	24-54-2	NAMEPLATE, PATENT LABEL (Not Illustrated)	1	1	1	1
52	24-51-2	NAMEPLATE, HUNTER MODEL & PART (Not Illustrated)	1	1	1	1

DSP306/308 SENSOR ASSEMBLY
REFER TO NEXT SHEET FOR PARTS DESCRIPTION LISTING



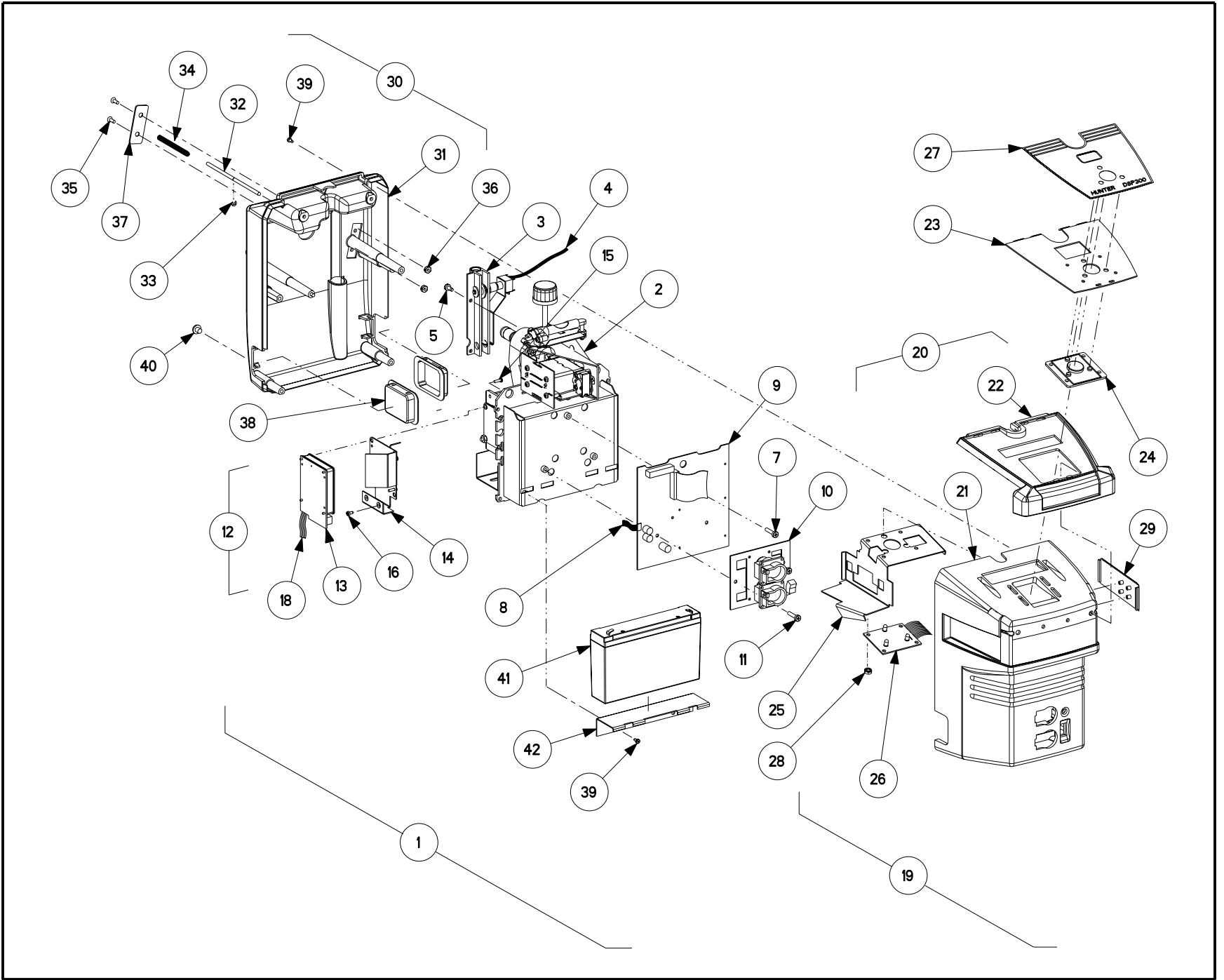
Index No.	Part Number	Description	LEFT REAR 306HF-RH	RIGHT REAR 306HF-RH
1	125-291-1-RH	LEFT REAR DSP306HF-RH SENSOR ASSEMBLY (Consisting Of:)	1	
OR	125-292-1-RH	RIGHT REAR DSP306HF-RH SENSOR ASSEMBLY (Consisting Of:)		1
2	117-149-1	HANGER ASSEMBLY, LEFT REAR (Consisting Of:)	1	
OR	117-150-1	HANGER ASSEMBLY, RIGHT REAR (Consisting Of:)		1
3	75-80-2	ROUND HEAD MACHINE SCREW 8-32 x .63	1	1
4	38-800-1	CABLE, DSP306 CAMBER 6 INCH	1	1
5	109-86-1	TRANSDUCER ASSEMBLY, RIDE HEIGHT	1	1
6	38-839-1	CABLE, DSP306/308 RIDE HEIGHT	1	1
7	75-446-2	SELF TAPPING SCREW 8-32 x 3/8	3	3
8	45-838-1	PC TRANSDUCER	1	1
9	45-637-1	PC ASSEMBLY, BURNDY	1	1
10	75-414-2	PHILLIPS HEAD MACHINE SCREW 8-32 x 3/4	2	2
11	232-89-1	ELECTRONIC ASSEMBLY, 2.4 GHZ DSP306 SENSOR (Consisting Of:)	1	1
12	45-709-3	PC ASSEMBLY, RF TRANSCEIVER 2.4 GHZ	1	1
13	14-795-1	BRACKET ASSEMBLY, TRANSCEIVER	1	1
14	75-364-2	PHILLIPS HEAD MACHINE SCREW 4 x 3/8	3	3
15	75-326-2	SCREW, SELF TAPPING 8-32 x 5/16	2	2
16	70-142-3	HARNESS, RF/BATTERY	1	1
17	69-917-1	COVER ASSEMBLY, DSP306 (Consisting Of:)		1
OR	69-918-1	COVER ASSEMBLY, DSP306 (Consisting Of:)	1	
18	69-911-3	COVER, FRONT WITH CAP (Consisting Of:)	1	1
19	69-857-2	COVER, DSP306 FRONT	1	1
20	53-97-2	CAP, SENSOR BOX	1	1
21	51-1538-1	PLATE ASSEMBLY, COMPENSATION	1	1
24	64-117-2	PAD, COMPENSATION KEY	1	1
25	14-800	BRACKET, TOE BAFFLE RIGHT	1	
OR	14-801	BRACKET, TOE BAFFLE LEFT		1
26	45-775-1	PC ASSEMBLY, COMPENSATION	1	1
27	128-528-2	LABEL, COMPENSATION SWITCH	1	1
28	76-71-2	NUT, KEPS 8-32	4	4
29	51-1513-2	PLATE, TOE BLANKING	1	1
30	69-886-1	COVER, REAR (Consisting Of:)	1	1
31	69-858-2	COVER, REAR	1	1
32	135-290-2	PIN, PLUNGER	2	2
33	112-76-2	SNAP RING 5133-14	2	2
34	98-321-2	SPRING COMPRESSION, RECHARGE	2	2
35	75-447-2	FLAT HEAD MACHINE SCREW 6-32 x .38	4	4
36	76-84-2	NUT, KEPS 6-32	4	4
37	51-1369	PLATE, CONTACT	2	2
38	53-94-2	CAP, TOE	2	2
39	75-441-2	SCREW, SELF TAPPING 8-32 x .50	4	4
40	75-295-2	ROUND HEAD MACHINE SCREW 8-32 x .75	4	4
41	194-18-2	BATTERY, 6V 6.5 AH LEAD ACID	1	1
42	12-148	CLAMP, BATTERY	1	1
43	38-806-1	CABLE ASSEMBLY, COMP SWITCH	1	1
44	128-154-2	DECAL, SENSOR LOCATION WARNING (Not Illustrated)	1	1
45	128-390-2	DECAL, SENSOR DISCONNECT POWER (Not Illustrated)	1	1
46	128-430-2	DECAL, UL FOR CANADA (Not Illustrated)	1	1
47	128-72-2	DECAL, UL (Not Illustrated)	1	1
48	24-54-2	NAMEPLATE, PATENT LABEL (Not Illustrated)	1	1
49	24-51-2	NAMEPLATE, HUNTER MODEL & PART (Not Illustrated)	1	1

DSP306 SENSOR ASSEMBLY
REFER TO NEXT SHEET FOR PARTS DESCRIPTION LISTING



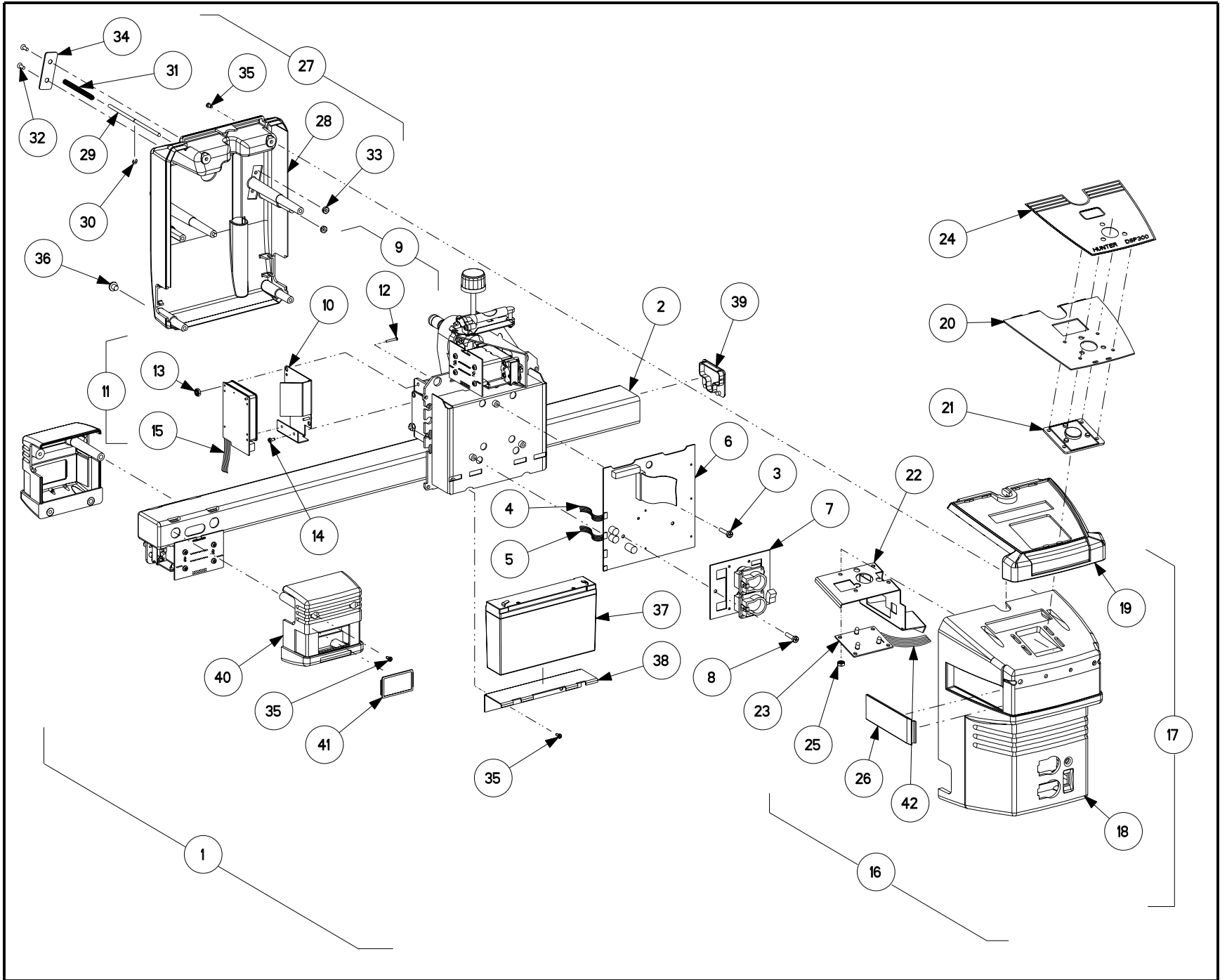
Index No.	Part Number	Description	LEFT REAR 306HFSS	RIGHT REAR 306HFSS
1	125-313-1	LEFT REAR DSP306HFSS SENSOR ASSEMBLY (Consisting Of:)	1	
OR	125-314-1	RIGHT REAR DSP306HFSS SENSOR ASSEMBLY (Consisting Of:)		
2	117-149-1	HANGER ASSEMBLY, LEFT REAR	1	
OR	117-150-1	HANGER ASSEMBLY, RIGHT REAR		1
3	75-80-2	ROUND HEAD MACHINE SCREW 8-32 x .63	1	1
4	38-800-1	CABLE, CAMBER 6 INCH	1	1
5	45-918-1	PC ASSEMBLY, TRANSDUCER RF	1	1
6	45-637-1	PC ASSEMBLY, BURNDY	1	1
7	75-414-2	PHILLIPS HEAD MACHINE SCREW 8-32 x 3/4	2	2
8	232-121-1-0	ELECTRONIC ASSEMBLY, U.S./EUROPE (Consisting Of:)	1	1
9	20-24HFSS-1-0	KIT, 2.4 GHZ HFSS TRANSCEIVER	1	1
10	14-795-1	BRACKET ASSEMBLY, TRANSCEIVER	1	1
11	75-364-2	PHILLIPS HEAD MACHINE SCREW 4 x 3/8	3	3
12	75-326-2	SCREW, SELF TAPPING 8-32 x 5/16	2	2
13	53-101-2	CAP, TOE ARM (Not Illustrated)	1	1
14	70-142-3	HARNESS, RF/BATTERY	1	1
15	69-917-1	COVER ASSEMBLY, LEFT FRONT/RIGHT REAR (Consisting Of:)		1
OR	69-918-1	COVER ASSEMBLY, RIGHT FRONT/LEFT REAR (Consisting Of:)	1	
16	69-911-3	COVER, FRONT WITH CAP (Consisting Of:)	1	1
17	69-857-2	COVER, FRONT	1	1
18	53-97-2	CAP, SENSOR BOX	1	1
19	51-1538-1	PLATE ASSEMBLY, COMPENSATION	1	1
22	64-117-2	PAD, COMPENSATION KEY	1	1
23	14-800	BRACKET, TOE BAFFLE RIGHT	1	
OR	14-801	BRACKET, TOE BAFFLE LEFT		1
24	45-775-1	PC ASSEMBLY, COMPENSATION	1	1
25	128-528-2	LABEL, COMPENSATION SWITCH	1	1
26	76-71-2	NUT, KEPS 8-32	4	4
27	51-1513-2	PLATE, TOE BLANKING	1	1
28	69-886-1	COVER, REAR (Consisting Of:)	1	1
29	69-858-2	COVER, REAR	1	1
30	135-290-2	PIN, PLUNGER	2	2
31	112-76-2	SNAP RING 5133-14	2	2
32	98-321-2	SPRING, COMPRESSION	2	2
33	75-447-2	FLAT HEAD MACHINE SCREW 6-32 x .38	4	4
34	76-84-2	NUT, KEPS 6-32	4	4
35	51-1369	PLATE CONTACT	2	2
36	53-94-2	CAP, TOE	2	2
37	75-441-2	SCREW, SELF TAPPING 8-32 x .50	4	4
38	75-295-2	ROUND HEAD MACHINE SCREW 8-32 x .75	4	4
39	194-18-2	BATTERY, 6V 6.5 AH LEAD ACID	1	1
40	12-148	CLAMP, BATTERY	1	1
41	128-188-2	LABEL, 1/4 x 1 (Not Illustrated)	1	1
42	128-154-2	DECAL, SENSOR LOCATION WARNING (Not Illustrated)	1	1
43	128-390-2	DECAL, SENSOR DISCONNECT POWER (Not Illustrated)	1	1
44	128-430-2	DECAL, UL FOR CANADA (Not Illustrated)	1	1
45	128-479-2	DECAL, CE COMPLIANCE (Not Illustrated)	1	1
46	128-514-2	LABEL, TERMINAL DESIGNATION (Not Illustrated)	1	1
47	128-953-2	DECAL, CE168 COMPLIANCE (Not Illustrated)	1	1
48	128-954-2	DECAL, BAPT APPROVAL (Not Illustrated)	1	1
49	128-72-2	DECAL, UL (Not Illustrated)	1	1
50	24-54-2	NAMEPLATE, PATENT LABEL (Not Illustrated)	1	1
51	24-51-2	NAMEPLATE, HUNTER MODEL & PART (Not Illustrated)	1	1
52	12-71-2	CLAMP, CABLE 3/16 (Not Illustrated)	2	2
53	75-587-2	SCREW, STAP 8-32 x 1/4 (Not Illustrated)	2	2

DSP306 SENSOR ASSEMBLY
REFER TO NEXT SHEET FOR PARTS DESCRIPTION LISTING



Index No.	Part Number	Description	LEFT REAR	RIGHT REAR	Index No. No.	Part Number	Description	LEFT REAR	RIGHT REAR
1	125-313-1-RH	LEFT REAR DSP306HFSS-RH SENSOR ASSEMBLY (Consisting Of:)	1		29	51-1513-2	PLATE, TOE BLANKING	1	1
OR	125-314-1-RH	RIGHT REAR DSP306HFSS-RH SENSOR ASSEMBLY (Consisting Of:)		1	30	69-886-1	COVER, REAR (Consisting Of:)	1	1
2	117-149-1	HANGER ASSEMBLY, LEFT REAR	1		31	69-858-2	COVER, REAR	1	1
OR	117-150-1	HANGER ASSEMBLY, RIGHT REAR		1	32	135-290-2	PIN, PLUNGER	2	2
3	109-86-1	TRANSDUCER ASSEMBLY, RIDE HEIGHT	1	1	33	112-76-2	SNAP RING 5133-14	2	2
4	38-839-1	CABLE, DSP306/308 RIDE HEIGHT	1	1	34	98-321-2	SPRING, COMPRESSION	2	2
5	75-446-2	SCREW, STAP 8-32 x 3/8	2	2	35	75-447-2	FLAT HEAD MACHINE SCREW 6-32 x .38	4	4
6	94-11-2	TIE, CABLE (Not Illustrated)	1	1	36	76-84-2	NUT, KEPS 6-32	4	4
7	75-80-2	ROUND HEAD MACHINE SCREW 8-32 x .63	1	1	37	51-1369	PLATE CONTACT	2	2
8	38-800-1	CABLE, CAMBER 6 INCH	1	1	38	53-94-2	CAP, TOE	2	2
9	45-918-1	PC ASSEMBLY, TRANSDUCER RF	1	1	39	75-441-2	SCREW, SELF TAPPING 8-32 x .50	4	4
10	45-637-1	PC ASSEMBLY, BURNDY	1	1	40	75-295-2	ROUND HEAD MACHINE SCREW 8-32 x .75	4	4
11	75-414-2	PHILLIPS HEAD MACHINE SCREW 8-32 x 3/4	2	2	41	194-18-2	BATTERY, 6V 6.5 AH LEAD ACID	1	1
12	232-121-1-0	ELECTRONIC ASSEMBLY, U.S./EUROPE (Consisting Of:)	1	1	42	12-148	CLAMP, BATTERY	1	1
13	20-24HFSS-1-0	KIT, 2.4 GHZ HFSS TRANSCEIVER	1	1	43	128-188-2	LABEL, 1/4 x 1 (Not Illustrated)	1	1
14	14-795-1	BRACKET ASSEMBLY, TRANSCEIVER	1	1	44	128-154-2	DECAL, SENSOR LOCATION WARNING (Not Illustrated)	1	1
15	75-364-2	PHILLIPS HEAD MACHINE SCREW 4 x 3/8	3	3	45	128-390-2	DECAL, SENSOR DISCONNECT POWER (Not Illustrated)	1	1
16	75-326-2	SCREW STAP 8-32 x 5/16		2	46	128-430-2	DECAL, UL FOR CANADA (Not Illustrated)	1	1
17	53-101-2	CAP, TOE ARM (Not Illustrated)	1	1	47	128-479-2	DECAL, CE COMPLIANCE (Not Illustrated)	1	1
18	70-142-3	HARNESS, RF/BATTERY	1	1	48	128-514-2	LABEL, TERMINAL DESIGNATION (Not Illustrated)	1	1
19	69-917-1	COVER ASSEMBLY, LEFT FRONT/RIGHT REAR (Consisting Of:)		1	49	128-953-2	DECAL, CE168 COMPLIANCE (Not Illustrated)	1	1
OR	69-918-1	COVER ASSEMBLY, RIGHT FRONT/LEFT REAR (Consisting Of:)	1		50	128-954-2	DECAL, BAPT APPROVAL (Not Illustrated)	1	1
20	69-911-3	COVER, FRONT WITH CAP (Consisting Of:)	1	1	51	128-72-2	DECAL, UL (Not Illustrated)	1	1
21	69-857-2	COVER, FRONT	1	1	52	24-54-2	NAMEPLATE, PATENT LABEL (Not Illustrated)	1	1
22	53-97-2	CAP, SENSOR BOX	1	1	53	24-51-2	NAMEPLATE, HUNTER MODEL & PART (Not Illustrated)	1	1
23	51-1538-1	PLATE ASSEMBLY, COMPENSATION	1	1	54	12-71-2	CLAMP, CABLE 3/16 (Not Illustrated)	2	2
24	64-117-2	PAD, COMPENSATION KEY	1	1	55	75-587-2	SCREW, STAP 8-32 x 1/4 (Not Illustrated)	2	2
25	14-800	BRACKET, TOE BAFFLE RIGHT	1						
OR	14-801	BRACKET, TOE BAFFLE LEFT		1					
26	45-775-1	PC ASSEMBLY, COMPENSATION	1	1					
27	128-528-2	LABEL, COMPENSATION SWITCH	1	1					
28	76-71-2	NUT, KEPS 8-32	4	4					

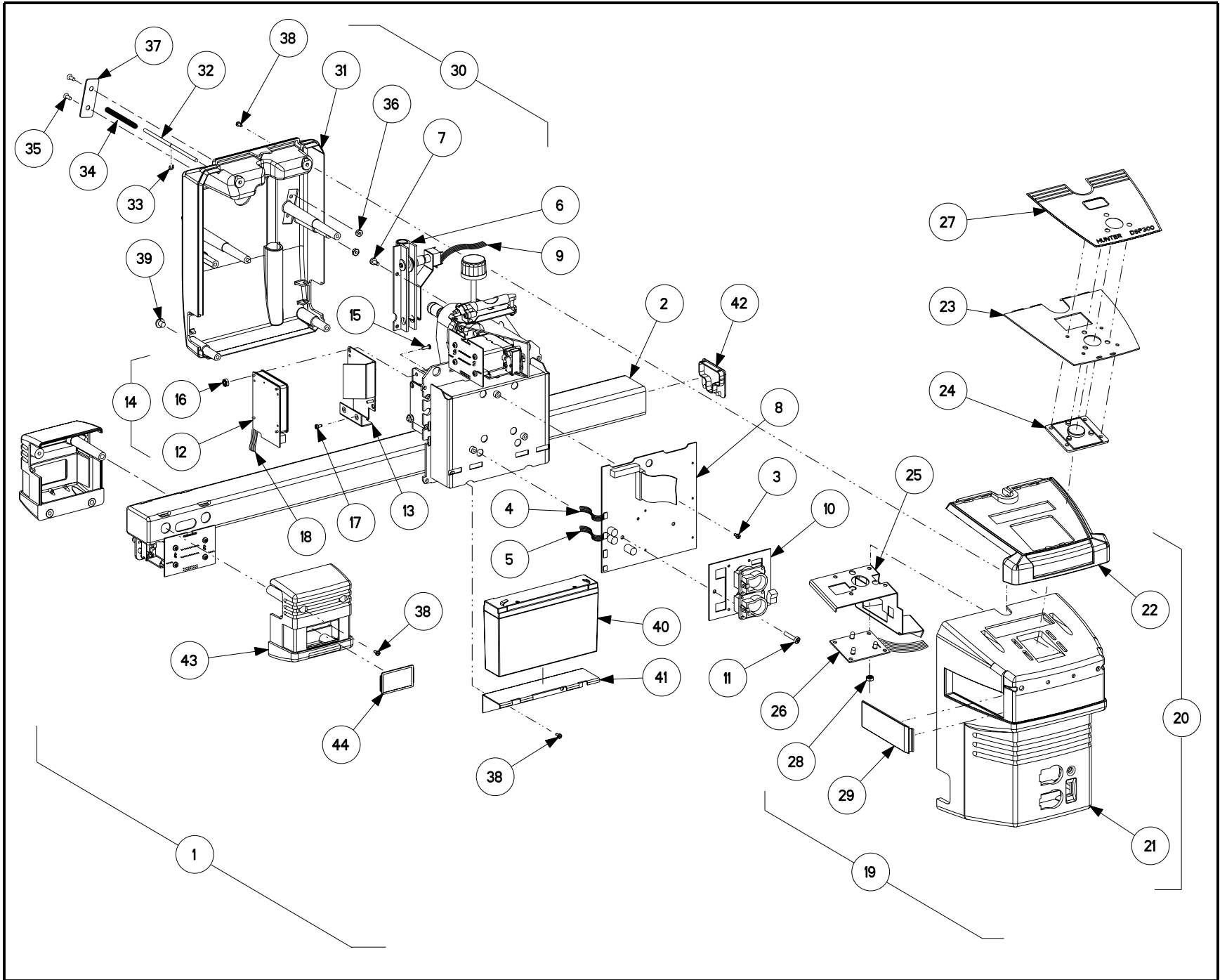
DSP306/308 HFSS SENSOR ASSEMBLY
REFER TO NEXT SHEET FOR PARTS DESCRIPTION LISTING



Index No.	Part Number	Description	LEFT FRONT 306/308 HFSS	RIGHT FRONT 306/308 HFSS	LEFT REAR 308HFSS	RIGHT REAR 308HFSS
1	125-311-1	SENSOR ASSEMBLY, LEFT FRONT DSP306/308HFSS (Consisting Of:)	1			
OR	125-312-1	SENSOR ASSEMBLY, RIGHT FRONT DSP306/308HFSS (Not Illustrated) (Consisting Of:)		1		
OR	125-315-1	SENSOR ASSEMBLY, LEFT REAR DSP308HFSS (Not Illustrated) (Consisting Of:)			1	
OR	125-316-1	SENSOR ASSEMBLY, RIGHT REAR DSP308HFSS (Not Illustrated) (Consisting Of:)				1
2	117-147-1	HANGER ASSEMBLY, LEFT FRONT/ RIGHT REAR	1			1
OR	117-148-1	HANGER ASSEMBLY, RIGHT FRONT/ LEFT REAR (Not Illustrated)		1	1	
3	75-80-2	ROUND HEAD MACHINE SCREW 8-32 x .63	1	1	1	1
4	38-800-1	CABLE, CAMBER 6 INCH	1	1	1	1
5	38-801-1	CABLE, CASTER 10 INCH	1	1	1	1
6	45-918-1	PC TRANSDUCER, HF	1	1	1	1
7	45-637-1	PC ASSEMBLY, BURDNY	1	1	1	1
8	75-414-2	PHILLIPS HEAD MACHINE SCREW 8-32 x 3/4	2	2	2	2
9	232-121-1-0	ELECTRONIC HFSS TRANSCEIVER (Consisting Of:)	1	1	1	1
10	14-795-1	BRACKET ASSEMBLY, TRANSCEIVER	1	1	1	1
11	20-24HFSS-1-0	KIT, 2.4 GHZ HFSS TRANSCEIVER (Consisting Of:)	1	1	1	1
12	75-229-2	ROUND HEAD MACHINE SCREW 2-56 x 5/8	4	4	4	4
13	76-139-2	NUT, HEX 2-56	4	4	4	4
14	75-326-2	SCREW, SELF TAPPING 8-32 x 5/16	2	2	2	2
15	70-142-3	HARNESS, RF BATTERY	1	1	1	1
16	69-917-1	COVER ASSEMBLY, FRONT LEFT FRONT/ RIGHT REAR (Consisting Of:)	1			1
OR	69-918-1	COVER ASSEMBLY, FRONT (Not Illustrated) (Consisting Of:)		1	1	
17	69-911-3	COVER FRONT, WITH CAP (Consisting Of:)	1	1	1	1
18	69-857-2	COVER, FRONT	1	1	1	1
19	53-97-2	CAP, SENSOR BOX	1	1	1	1
20	51-1538-1	PLATE, ASSEMBLY COMPENSATION	1	1	1	1
21	64-117-2	PAD, COMPENSATION KEY	1	1	1	1
22	14-800	BRACKET, TOE BAFFLE RIGHT	1	1	1	1
OR	14-801	BRACKET, TOE BAFFLE LEFT	1	1	1	1
23	45-775-1	PC ASSEMBLY, COMPENSATION	1	1	1	1
24	128-528-2	LABEL, COMP SWITCH	1	1	1	1
25	76-71-2	NUT, KEPS 8-32	4	4	4	4
26	51-1512-2	PLATE, LTOE BLANKING	1	1	1	1
27	69-886-1	COVER ASSEMBLY, REAR (Consisting Of:)	1	1	1	1
28	69-858-2	COVER, REAR	1	1	1	1
29	135-290-2	PIN, PLUNGER	2	2	2	2
30	112-76-2	SNAP RING 5133-14	2	2	2	2
31	98-321-2	SPRING, COMPRESSION RECHARGE	2	2	2	2
32	75-447-2	FLAT HEAD MACHINE SCREW 6-32 x .38	4	4	4	4
33	76-84-2	NUT, KEPS 6-32	4	4	4	4
34	51-1369	PLATE, CONTACT	2	2	2	2
35	75-441-2	SCREW, SELF TAPPING 8-32 x .5	8	8	8	8
36	75-295-2	ROUND HEAD MACHINE SCREW 8-32 x .75	4	4	4	4
37	194-18-2	BATTERY, 6V 6.5 AH LEAD-ACID	1	1	1	1
38	12-148	CLAMP, BATTERY	1	1	1	1
39	53-101-2	CAP, TOE ARM	1	1	1	1
40	69-912-3	COVER, TOE BOX WITH CAP	2	2	2	2
41	51-1512-2	PLATE, TTOE BLANKING	1	1	1	1
42	128-188-2	CABLE ASSEMBLY, COMP SWITCH	1	1	1	1
43	128-154-2	DECAL, SENSOR LOCATION WARNING (Not Illustrated)	1	1	1	1
44	128-390-2	DECAL, SENSOR DISCONNECT POWER (Not Illustrated)	1	1	1	1
45	128-430-2	DECAL, UL FOR CANADA (Not Illustrated)	1	1	1	1
46	128-72-2	DECAL, UL (Not Illustrated)	1	1	1	1
47	24-54-2	NAMEPLATE, PATENT LABEL (Not Illustrated)	1	1	1	1
48	24-51-2	NAMEPLATE, HUNTER MODEL & PART (Not Illustrated)	1	1	1	1
49	128-479-2	DECAL, CE COMPLIANCE (Not Illustrated)	1	1	1	1

50	128-610-2	DECAL, HFSS APPROVAL US/EUROPE (Not Illustrated)	1			
51	128-514-2	LABEL, TERMINAL DESIGNATION (Not Illustrated)	1	1	1	1
52	128-953-2	DECAL, CE168 COMPLIANCE (Not Illustrated)	1	1	1	1
53	128-954-2	DECAL, BABT APPROVAL (Not Illustrated)	1	1	1	1
54	128-429-2	DECAL, REAR WHEEL DESIGNATION (Not Illustrated)	1		1	1
55	12-71-2	CLAMP, CABLE 3/16 (Not Illustrated)	2	2	2	2
56	75-587-2	SCREW, STAP 8-32 x 1/4 (Not Illustrated)	2	2	2	2

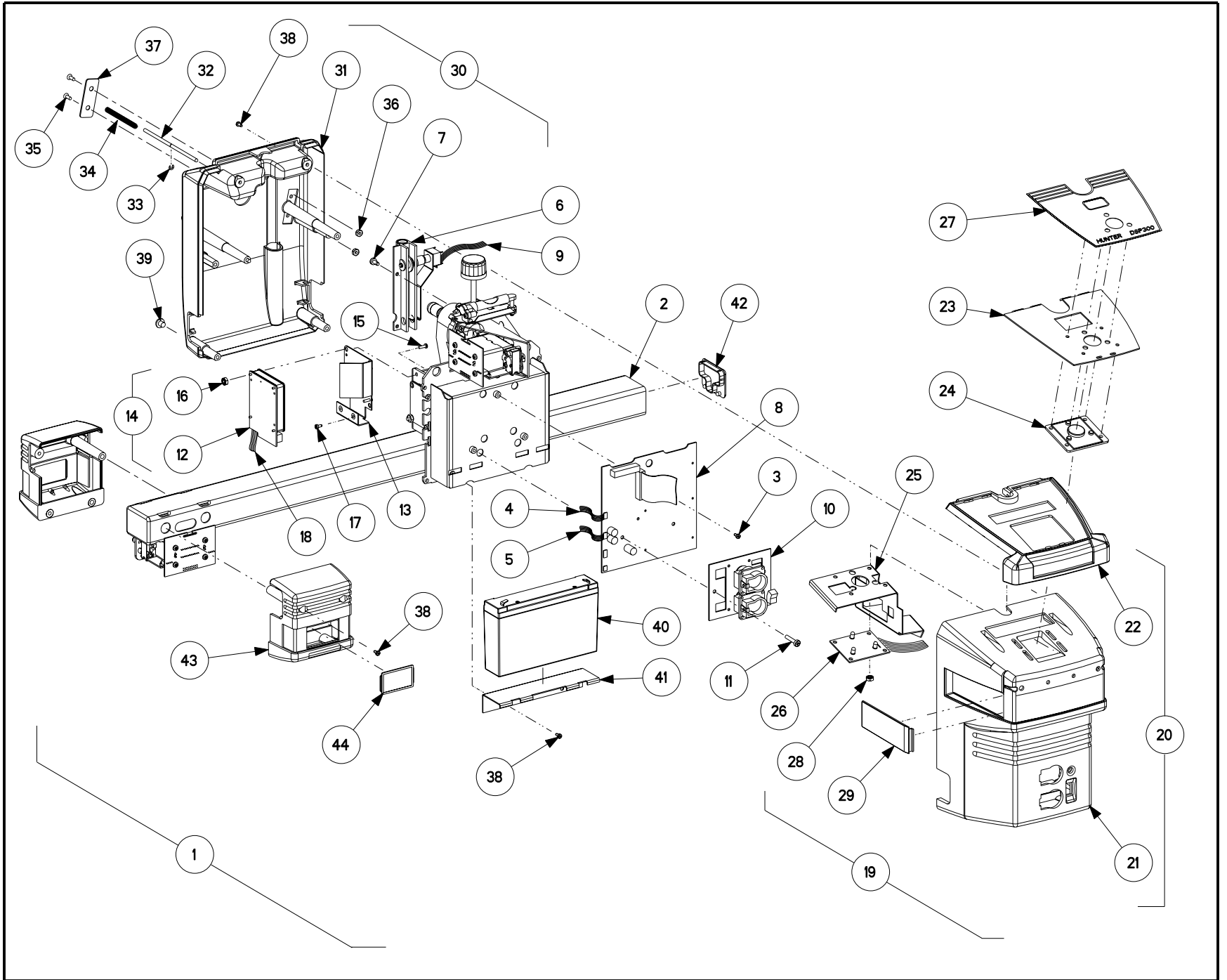
DSP306/308 SENSOR ASSEMBLY
REFER TO NEXT SHEET FOR PARTS DESCRIPTION LISTING



Index No.	Part Number	Description	LEFT FRONT 306/308 HFSS-RH	RIGHT FRONT 306/308 HFSS-RH
1	125-311-1-RH	SENSOR ASSEMBLY, LEFT FRONT DSP306/308HFSS-RH (Consisting Of:)	1	
OR	125-312-1-RH	SENSOR ASSEMBLY, RIGHT FRONT DSP306/308HFSS-RH (Consisting Of:)		1
2	117-147-1	HANGER ASSEMBLY, LEFT FRONT/ RIGHT REAR	1	
OR	117-148-1	HANGER ASSEMBLY, RIGHT FRONT/ LEFT REAR (Not Illustrated)		1
3	75-80-2	ROUND HEAD MACHINE SCREW 8-32 x .63	1	1
4	38-800-1	CABLE, CAMBER 6 INCH	1	1
5	38-801-1	CABLE, CASTER 10 INCH	1	1
6	109-86-1	TRANSDUCER ASSEMBLY, RIDE HEIGHT	1	1
7	75-446-2	SCREW, STAP 8-32 x 3/8	2	2
8	45-918-1	PC ASSEMBLY, TRANSDUCER RF	1	1
9	38-839-1	CABLE ASSEMBLY, DSP306/308 RIDE HEIGHT	1	1
10	45-637-1	PC ASSEMBLY, BURDNY	1	1
11	75-414-2	PHILLIPS HEAD MACHINE SCREW 8-32 x 3/4	2	2
12	232-121-1-0	ELECTRONIC HFSS TRANSCEIVER (Consisting Of:)	1	1
13	14-795-1	BRACKET ASSEMBLY, TRANSCEIVER	1	1
14	20-24HFSS-1-0	KIT, 2.4 GHZ HFSS TRANSCEIVER (Consisting Of:)	1	1
15	75-229-2	ROUND HEAD MACHINE SCREW 2-56 x 5/8	4	4
16	76-139-2	NUT, HEX 2-56	4	4
17	75-326-2	SCREW, SELF TAPPING 8-32 x 5/16	2	2
18	70-142-3	HARNESS, RF BATTERY	1	1
19	69-917-1	COVER ASSEMBLY, LEFT FRONT/ RIGHT REAR (Consisting Of:)	1	
OR	69-918-1	COVER ASSEMBLY, RIGHT FRONT/LEFT REAR (Not Illustrated) (Consisting Of:)		1
20	69-911-3	COVER FRONT, WITH CAP (Consisting Of:)	1	1
21	69-857-2	COVER, FRONT	1	1
22	53-97-2	CAP, SENSOR BOX	1	1
23	51-1538-1	PLATE, ASSEMBLY COMPENSATION	1	1
24	64-117-2	PAD, COMPENSATION KEY	1	1
25	14-800	BRACKET, TOE BAFFLE RIGHT	1	1
OR	14-801	BRACKET, TOE BAFFLE LEFT	1	1
26	45-775-1	PC ASSEMBLY, COMPENSATION	1	1
27	128-528-2	LABEL, COMP SWITCH	1	1
28	76-71-2	NUT, KEPS 8-32	4	4
29	51-1512-2	PLATE, LTOE BLANKING	1	1
30	69-886-1	COVER ASSEMBLY, REAR (Consisting Of:)	1	1
31	69-858-2	COVER, REAR	1	1
32	135-290-2	PIN, PLUNGER	2	2
33	112-76-2	SNAP RING 5133-14	2	2
34	98-321-2	SPRING, COMPRESSION RECHARGE	2	2
35	75-447-2	FLAT HEAD MACHINE SCREW 6-32 x .38	4	4
36	76-84-2	NUT, KEPS 6-32	4	4
37	51-1369	PLATE, CONTACT	2	2
38	75-441-2	SCREW, SELF TAPPING 8-32 x .5	8	8
39	75-295-2	ROUND HEAD MACHINE SCREW 8-32 x 1-3/4	4	4
40	194-18-2	BATTERY, 6V 7.0 AH LEAD-ACID	1	1
41	12-148	CLAMP, BATTERY	1	1
42	53-101-2	CAP, TOE ARM	1	1
43	69-912-3	COVER, TOE BOX WITH CAP	2	2
44	51-1512-2	PLATE, TTOE BLANKING	1	1
45	94-11-2	TIE, CABLE (Not Illustrated)	1	1
46	128-154-2	DECAL, SENSOR LOCATION WARNING (Not Illustrated)	1	1
47	128-188-2	DECAL, SENSOR LOCATION WARNING (Not Illustrated)	1	1
48	128-390-2	DECAL, SENSOR DISCONNECT POWER (Not Illustrated)	1	1
49	128-430-2	DECAL, UL FOR CANADA (Not Illustrated)	1	1
50	128-72-2	DECAL, UL (Not Illustrated)	1	1
51	24-54-2	NAMEPLATE, PATENT LABEL (Not Illustrated)	1	1

52	24-51-2	NAMEPLATE, HUNTER MODEL & PART (Not Illustrated)	1	1
53	128-479-2	DECAL, CE COMPLIANCE (Not Illustrated)	1	1
54	128-514-2	LABEL, TERMINAL DESIGNATION (Not Illustrated)	1	1
55	128-953-2	DECAL, CE168 COMPLIANCE (Not Illustrated)	1	1
56	128-954-2	DECAL, BABT APPROVAL (Not Illustrated)	1	1
57	12-71-2	CLAMP, CABLE (Not Illustrated)	2	2
58	75-587-2	SCREW, STAP 8-32 x 1/4 (Not Illustrated)	2	2

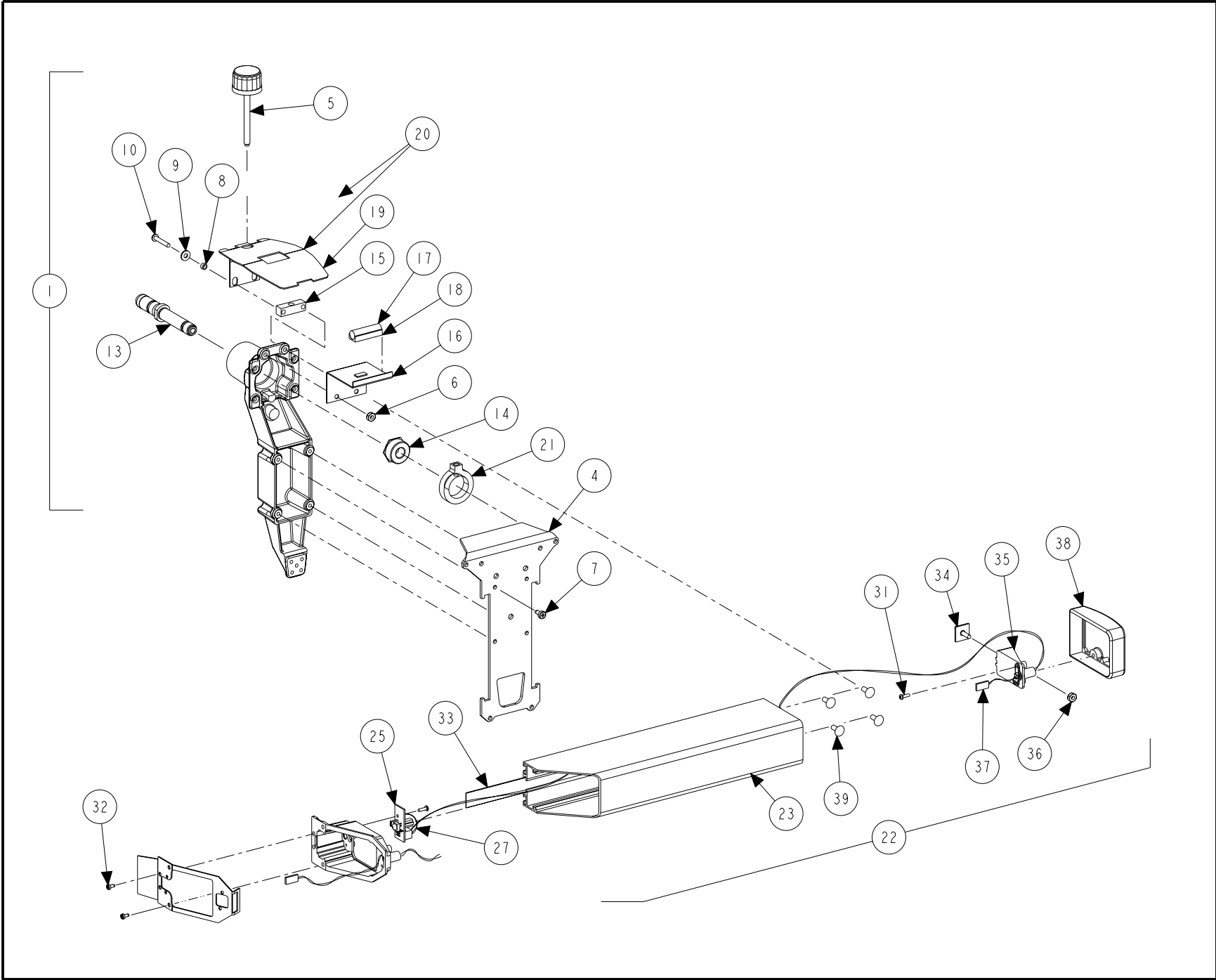
DSP308 SENSOR ASSEMBLY
REFER TO NEXT SHEET FOR PARTS DESCRIPTION LISTING



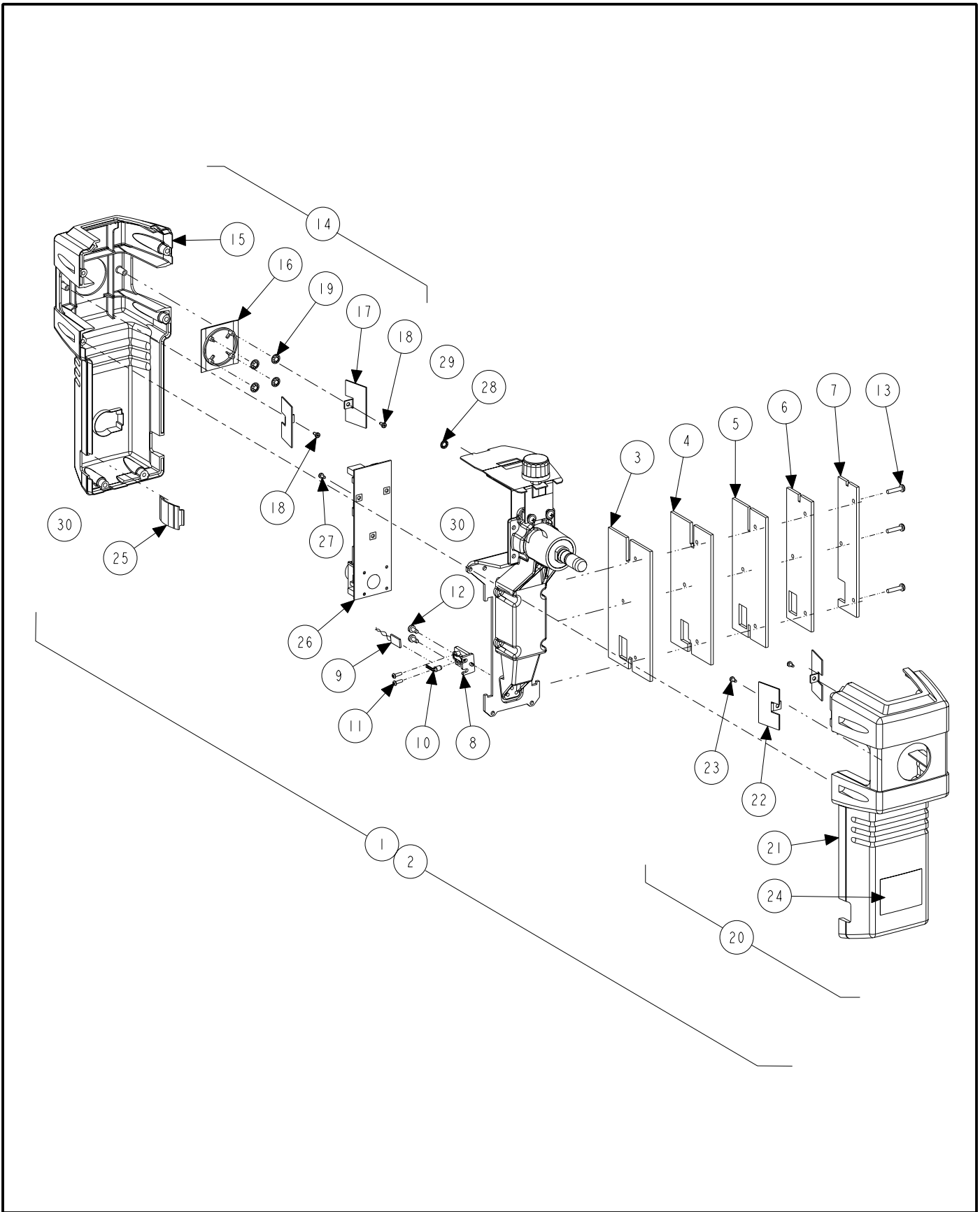
Index No.	Part Number	Description	LEFT REAR 308 HFSS-RH	RIGHT REAR 308 HFSS-RH
1	125-315-1-RH	SENSOR ASSEMBLY, LEFT FRONT DSP308HFSS-RH (Consisting Of:)	1	
OR	125-316-1-RH	SENSOR ASSEMBLY, RIGHT FRONT DSP308HFSS-RH (Consisting Of:)		1
2	117-147-1	HANGER ASSEMBLY, LEFT FRONT/ RIGHT REAR	1	
OR	117-148-1	HANGER ASSEMBLY, RIGHT FRONT/ LEFT REAR (Not Illustrated)		1
3	75-80-2	ROUND HEAD MACHINE SCREW 8-32 x .63	1	1
4	38-800-1	CABLE, CAMBER 6 INCH	1	1
5	38-801-1	CABLE, CASTER 10 INCH	1	1
6	109-86-1	TRANSDUCER ASSEMBLY, RIDE HEIGHT	1	1
7	75-446-2	SCREW, STAP 8-32 x 3/8	2	2
8	45-918-1	PC ASSEMBLY, TRANSDUCER RF	1	1
9	38-839-1	CABLE ASSEMBLY, DSP306/308 RIDE HEIGHT	1	1
10	45-637-1	PC ASSEMBLY, BURDNY	1	1
11	75-414-2	PHILLIPS HEAD MACHINE SCREW 8-32 x 3/4	2	2
12	232-121-1-0	ELECTRONIC HFSS TRANSCEIVER (Consisting Of:)	1	1
13	14-795-1	BRACKET ASSEMBLY, TRANSCEIVER	1	1
14	20-24HFSS-1-0	KIT, 2.4 GHZ HFSS TRANSCEIVER (Consisting Of:)	1	1
15	75-229-2	ROUND HEAD MACHINE SCREW 2-56 x 5/8	4	4
16	76-139-2	NUT, HEX 2-56	4	4
17	75-326-2	SCREW, SELF TAPPING 8-32 x 5/16	2	2
18	70-142-3	HARNESS, RF BATTERY	1	1
19	69-917-1	COVER ASSEMBLY, LEFT FRONT/ RIGHT REAR (Consisting Of:)	1	
OR	69-918-1	COVER ASSEMBLY, RIGHT FRONT/LEFT REAR (Not Illustrated) (Consisting Of:)		1
20	69-911-3	COVER FRONT, WITH CAP (Consisting Of:)	1	1
21	69-857-2	COVER, FRONT	1	1
22	53-97-2	CAP, SENSOR BOX	1	1
23	51-1538-1	PLATE, ASSEMBLY COMPENSATION	1	1
24	64-117-2	PAD, COMPENSATION KEY	1	1
25	14-800	BRACKET, TOE BAFFLE RIGHT	1	1
OR	14-801	BRACKET, TOE BAFFLE LEFT	1	1
26	45-775-1	PC ASSEMBLY, COMPENSATION	1	1
27	128-528-2	LABEL, COMP SWITCH	1	1
28	76-71-2	NUT, KEPS 8-32	4	4
29	51-1512-2	PLATE, LTOE BLANKING	1	1
30	69-886-1	COVER ASSEMBLY, REAR (Consisting Of:)	1	1
31	69-858-2	COVER, REAR	1	1
32	135-290-2	PIN, PLUNGER	2	2
33	112-76-2	SNAP RING 5133-14	2	2
34	98-321-2	SPRING, COMPRESSION RECHARGE	2	2
35	75-447-2	FLAT HEAD MACHINE SCREW 6-32 x .38	4	4
36	76-84-2	NUT, KEPS 6-32	4	4
37	51-1369	PLATE, CONTACT	2	2
38	75-441-2	SCREW, SELF TAPPING 8-32 x .5	8	8
39	75-295-2	ROUND HEAD MACHINE SCREW 8-32 x 1-3/4	4	4
40	194-18-2	BATTERY, 6V 7.0 AH LEAD-ACID	1	1
41	12-148	CLAMP, BATTERY	1	1
42	53-101-2	CAP, TOE ARM	1	1
43	69-912-3	COVER, TOE BOX WITH CAP	2	2
44	51-1512-2	PLATE, TTOE BLANKING	1	1
45	94-11-2	TIE, CABLE (Not Illustrated)	1	1
46	128-429-2	DECAL, REAR WHEEL DESIGNATION (Not Illustrated)	1	1
47	128-154-2	DECAL, SENSOR LOCATION WARNING (Not Illustrated)	1	1
48	128-188-2	DECAL, SENSOR LOCATION WARNING (Not Illustrated)	1	1

49	128-390-2	DECAL, SENSOR DISCONNECT POWER (Not Illustrated)	1	1
50	128-430-2	DECAL, UL FOR CANADA (Not Illustrated)	1	1
51	128-72-2	DECAL, UL (Not Illustrated)	1	1
52	24-54-2	NAMEPLATE, PATENT LABEL (Not Illustrated)	1	1
53	24-51-2	NAMEPLATE, HUNTER MODEL & PART (Not Illustrated)	1	1
54	128-479-2	DECAL, CE COMPLIANCE (Not Illustrated)	1	1
55	128-514-2	LABEL, TERMINAL DESIGNATION (Not Illustrated)	1	1
56	128-953-2	DECAL, CE168 COMPLIANCE (Not Illustrated)	1	1
57	128-954-2	DECAL, BABT APPROVAL (Not Illustrated)	1	1
58	12-71-2	CLAMP, CABLE (Not Illustrated)	2	2
59	75-587-2	SCREW, STAP 8-32 x 1/4 (Not Illustrated)	2	2

DSP304 SENSOR ASSEMBLY
REFER TO NEXT SHEET FOR PARTS DESCRIPTION LISTING



Index No.	Part Number	Description	Qty.
-	125-301-1	LEFT REAR DSP304 SENSOR ASSEMBLY (Consisting Of:)	REF
-	125-302-1	RIGHT REAR DSP304 SENSOR ASSEMBLY (Not Illustrated) (Consisting Of:)	REF
-	117-152-1	RIGHT REAR DSP304 HANGER ASSEMBLY (Not Illustrated) (Consisting Of:)	REF
-	117-153-1	LEFT REAR DSP304 HANGER ASSEMBLY (Consisting Of:)	REF
1	11-846-1	DSP304 SUPPORT ASSEMBLY (Consisting Of:)	1
4	51-1599-1	PLATE ASSEMBLY, DSP304	1
5	34-127-3	KNOB, LOCK	1
6	76-71-2	NUT, KEPS	2
7	75-446-2	SCREW, SELF TAPPING 8-32 x 3/8	4
8	46-369-2	SPACER, .25 OD x .125 H x .171 ID	2
9	77-46-2	WASHER, FLAT 8	2
10	75-186-2	ROUND HEAD MACHINE SCREW 8-32 x 1	2
13	97-357-2	SHAFT, SENSOR	1
14	76-313-2	NUT, HUB	1
15	121-153-2	BLOCK, LOCK	1
16	14-853-002	BRACKET, LEVEL DSP304	1
17	221-621-2	LEVEL, DSP304	1
18	72-303-2	BASE, LEVEL, DSP304	1
19	51-1581	PLATE, COMP SWITCH	1
20	18-408-2	SWITCH, COMP DSP304	1
21	223-56-2	RING, BRAKE	1
22	16-634-1	TUBE ASSEMBLY, DSP304 (Consisting Of:)	1
23	16-636-011	ARM, DSP304	1
25	45-859-1	PC ASSEMBLY, DSP304 EMITTER/DETECTOR	1
27	38-857-1	CABLE, INTERCONNECT ASSEMBLY	1
31	51-1580-002	PLATE, BAFFLE	1
32	75-472-2	SCREW, SELF TAPPING 8-32 x .75	6
33	51-1592	PLATE, CABLE GUIDE	1
34	51-1594-1	PLATE ASSEMBLY, REAR EMITTER	1
35	11-836-2	SUPPORT, EMITTER REAR	1
36	76-71-2	NUT, KEPS 8-32	1
37	37-466-1	WIRE, EMITTER LONG ASSEMBLY	1
38	53-116-2	CAP, BUMPER	1
39	75-547-2	BOLT, CARRIAGE 10-24 x 1/2	4



DSP304 SENSOR ASSEMBLY
REFER TO NEXT SHEET FOR PARTS DESCRIPTION LISTING

Index No.	Part Number	Description	Qty.
1	125-301-1	LEFT REAR DSP304 SENSOR ASSEMBLY (Consisting Of:)	1
OR	125-302-1	RIGHT REAR, DSP304 SENSOR ASSEMBLY (Not Illustrated) (Consisting Of:)	1
2	117-153-1	LEFT REAR DSP304 HANGER ASSEMBLY (Consisting Of:)	1
OR	117-152-1	RIGHT REAR DSP304 HANGER ASSEMBLY (Not Illustrated) (Consisting Of:)	1
3	51-1583-002	PLATE, COUNTERWEIGHT "A"	1
4	51-1584-002	PLATE, COUNTERWEIGHT "B"	1
5	51-1585-002	PLATE, COUNTERWEIGHT "C"	1
6	51-1586-002	PLATE, COUNTERWEIGHT "D"	1
7	51-1587-002	PLATE, COUNTERWEIGHT "E"	1
8	11-845-2	SUPPORT, EMITTER LOWER	1
9	37-465-1	WIRE, EMITTER SHORT ASSEMBLY	1
10	35-108	LED, DSP304 EMITTER SHORT ASSEMBLY	1
11	75-505-2	PHILLIPS HEAD SHEET METAL SCREW 4 x .38	2
12	75-446-2	SCREW, SELF TAPPING 8-32 x .75	2
13	75-472-2	SCREW, SELF TAPPING 8-32 x .75	3
14	69-943-1	FRONT RIGHT REAR DSP304 COVER ASSEMBLY (Not Illustrated) (Consisting Of:)	1
OR	69-942-1	FRONT LEFT REAR DSP304 COVER ASSEMBLY (Consisting Of:)	1
15	69-927-2	COVER, DSP304	1
16	43-121-2	PLUG, HOLE DSP304	1
17	14-854-002	BRACKET, CLIP	1
18	75-326-2	SCREW, SELF TAPPING 8-32 x 5/16	1
19	76-221-2	NUT, PUSH ON 3/16 STUD	4
20	69-945-1	BACK RIGHT REAR DSP304 SENSOR ASSEMBLY (Not Illustrated) (Consisting Of:)	1
OR	69-944-1	BACK LEFT REAR DSP304 COVER ASSEMBLY (Consisting Of:)	1
21	69-927-2	COVER, DSP304	1
22	14-854-002	BRACKET, CLIP	1
23	75-326-2	SCREW, SELF TAPPING 8-32 x 5/16	1
24	128-606-2	DECAL, BLANK DSP304	1
25	43-123-2	PLUG, LOWER HOLE, DSP304	1
26	45-853-1	PC ASSEMBLY, DSP304	1
27	75-326-2	SCREW, SELF TAPPING 8-32 x 5/16	3
28	77-11-2	WASHER, LOCK 10 INT TOOTH	4
29	76-49-2	NUT, HEX 10-24	4
30	75-414-2	PHILLIPS HEAD MACHINE SCREW 8-32 x 3/4	6
31	128-154-2	DECAL, SENSOR LOCATION WARNING (Not Illustrated)	1
32	128-72-2	DECAL, UL (Not Illustrated)	1
33	128-430-2	DECAL, UL FOR CANADA (Not Illustrated)	1
34	24-54-2	NAMEPLATE, PATENT LABEL (Not Illustrated)	1
35	24-51-2	NAMEPLATE, HUNTER MODEL & PART (Not Illustrated)	1